

Tile Tech[®] Pedestal

Paving America one step at a time!

Uni-Just[™] & Stak-Cap[™] Pedestal System

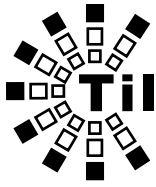


(Pat. # 8,453,391 & Pat. Pen)

- Single Model Design
- PVC Pipe Adjustable
- Screw Adjustable
- Self-Leveling
- Stackable

HYBRID PEDESTAL SYSTEM - TECHNICAL DETAILS

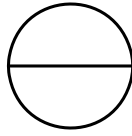




Tile Tech Inc.
Paving America one step at a time!

National Distribution
Toll Free: 888-380-5575

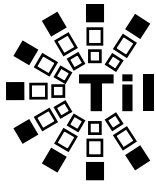
Tel: 213-380-5560
Fax: 213-380-5561



TILE TECH PEDESTAL SYSTEM

TABLE OF CONTENTS

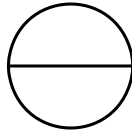
- | | |
|---|---|
| 3. COMPONENTS LIST | 16. DIAGONAL PERIMETER APPLICATION |
| 4. COMPONENT ASSEMBLY INSTRUCTIONS
STAK-CAP™ PEDESTALS | 17. LOW HEIGHT PEDESTAL APPLICATION |
| 5. INSTALLATION INSTRUCTIONS
STAK-CAP™ PEDESTALS | 18. DRAIN PEDESTAL APPLICATION |
| 6. COMPONENT ASSEMBLY INSTRUCTIONS
UNI-JUST™ PEDESTALS | 19. PERIMETER EDGE RESTRAINT
METAL FLASHING AND
WOOD FASCIA CONTAINMENT |
| 7. INSTALLATION INSTRUCTIONS
UNI-JUST™ PEDESTALS | 20. PERIMETER EDGE RESTRAINT
STEP-DOWN AND
GREEN ROOF CONTAINMENT |
| 8. BASE SLOPE COMPENSATION | 21. STEP-DOWN PEDESTAL APPLICATION |
| 9. UNI-SHIM™ APPLICATION | 22. IPE WOOD TILE APPLICATION |
| 10. PEDESTAL COMBINATION & CONFIGURATION | 23. WOOD TILES 20X20 DETAILS |
| 11. SAMPLE DECK LAYOUT - OVERVIEW | 24. WOOD TILES 24X24 DETAILS |
| 12. SAMPLE INITIAL INSTALLATION | 25. JOIST DECK PEDESTAL APPLICATION |
| 13. THRESHOLD PEDESTAL APPLICATION | 26. WIN-LOC™ PAVER
PAVER LOCK DOWN SYSTEM FOR
WIND UPLIFT. |
| 14. RADIUS PEDESTAL APPLICATION | 27. HEX-TRAY™
PAVER SNOW MELT SYSTEM. |
| 15. CORNER PEDESTAL APPLICATION | |



Tile Tech Inc.
Paving America one step at a time!

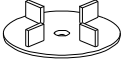
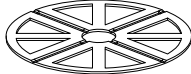
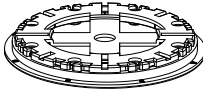
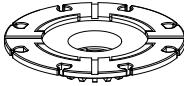
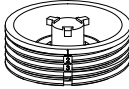
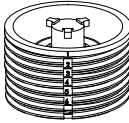
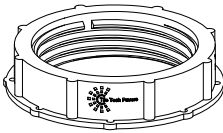

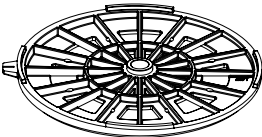
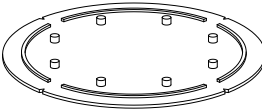
National Distribution
Toll Free: 888-380-5575

Tel: 213-380-5560
Fax: 213-380-5561



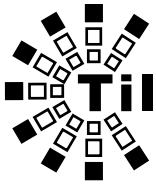
TILE TECH PEDESTAL SYSTEM

COMPLETE PRODUCT LINE & COMPONENTS LIST

PRODUCT LINE	MODEL NUMBER	DESCRIPTION
	SPACERS 1/8" & 1/4"	ALLOW FOR 1/8" SPACING GAP BETWEEN PAVERS FOR DRAINAGE. TABS ARE PERFORATED FOR EASY REMOVAL.
	UNI-SHIM™ - 1/8" & 1/16"	USED FOR FINE TUNING OF INDIVIDUAL PAVERS. CAN BE USED ON TOP OR BOTTOM OF PEDESTALS. CAN BE STACKED & BROKEN IN TO QUARTERS OR HALVES.
	STAK-CAP™	USED FOR LOW HEIGHT REQUIREMENTS. ROTATE AND STACK CAPS FOR SLOPE & HEIGHT ADJUSTMENT. CAN ALSO BE USED WITH PVC PIPE TO REACH 6" MAX.
	UNI-CAP™	SELF-LEVELING & ADJUSTABLE IN ANY DIRECTION FROM 0% TO 4% SLOPE. ALIGN & LOCK TO UNI-INSERT™.
	UNI-INSERT™ -75 (3/4")	USED FOR SCREW HEIGHT ADJUSTABILITY OF PEDESTAL. SCREWS IN TO UNI-COLLAR™. PROVIDES ADDITIONAL 3/4" OF HEIGHT ADJUSTMENT IN ADDITION TO PVC PIPE.
	UNI-INSERT™ -150 (1-1/2")	USED FOR SCREW HEIGHT ADJUSTABILITY OF PEDESTAL. SCREWS IN TO UNI-COLLAR™. PROVIDES ADDITIONAL 1-1/2" OF HEIGHT ADJUSTMENT IN ADDITION TO PVC PIPE.
	UNI-COLLAR™	USED FOR SCREW HEIGHT ADJUSTABILITY OF PEDESTAL SYSTEM. COMPRESSION FITS ON TO TOP END OF PVC PIPE.
	UNI-BASE™	USED AS BASE OF PEDESTAL SYSTEM. COMPRESSION FITS ON TO END OF PVC PIPE. CAN ALSO BE USED WITH UNI-INSERT™ FOR LOW HEIGHT APPLICATIONS. LARGE SURFACE AREA PROVIDES ADDED STABILITY.
	BASE SLOPE PLATE (BSP)	USED FOR SLOPE COMPENSATION AT BASE OF PEDESTALS. EACH PLATE COMPENSATES FOR 1/4" PER FOOT (2%) SLOPE AND ADDS 3/8" TO THE OVERALL HEIGHT OF PEDESTAL. MAXIMUM OF FOUR PLATES MAY BE STACKED FOR COMPENSATION OF UP TO 1" PER FOOT (0-8%) SLOPE.
	BUFFER PAD	PROVIDES PROTECTION TO WATERPROOFING MEMBRANE FROM WEAR AND PROVIDES SLIP RESISTANCE TO PEDESTAL. ATTACHES TO BOTTOM OF BASE. ALIGN PERIMETER NOTCHES WITH CHALK LINES.

GENERAL NOTES: APPLY TO ALL OF THE ABOVE PRODUCTS

1. INSTALLATION MUST BE COMPLETED IN ACCORDANCE WITH TILE TECH INC PRODUCT SPECIFICATIONS.
2. DRAWING NOT TO SCALE.
3. USE OF BUFFER PADS IS MANDATORY.
4. CONTRACTOR'S NOTE: FOR PRODUCT AND COMPANY INFORMATION VISIT www.tiletechpavers.com



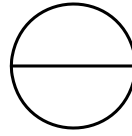
Tile Tech Inc.
Paving America one step at a time!

National Distribution

Tel: 213-380-5560

Toll Free: 888-380-5575

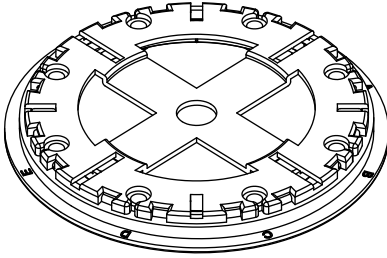
Fax: 213-380-5561



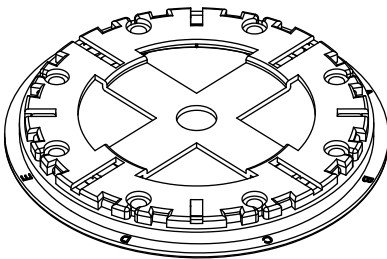
STAK-CAP™ PEDESTAL SYSTEM

COMPONENT ASSEMBLY INSTRUCTIONS.
HEIGHT ADJUSTMENT FROM 1/2" TO 2-1/4" & SLOPE ADJUSTMENT FROM 0% TO 5%

ROTATE



STACK



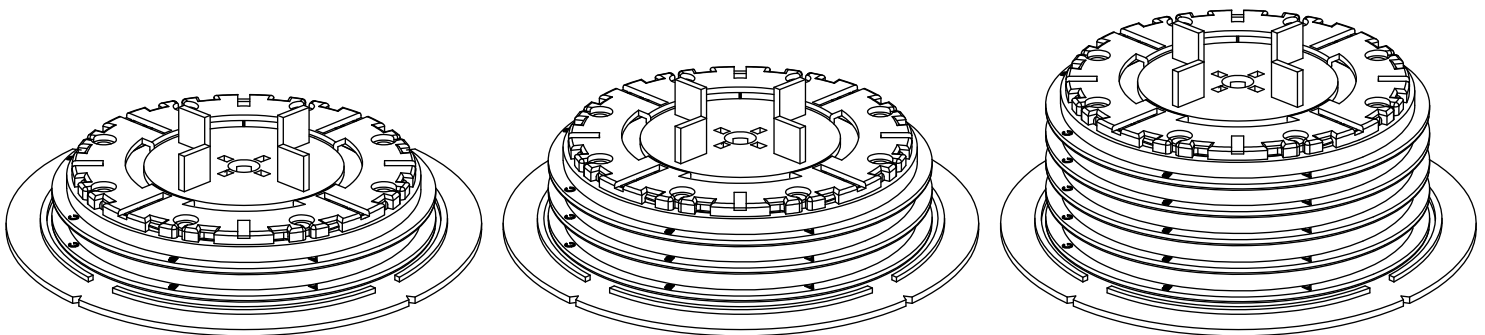
PRODUCT CHARACTERISTICS:

EACH CAP WILL COMPENSATE FOR UP TO 1/8" PER FOOT SLOPE (1%) & ADD 3/8" TO THE OVERALL HEIGHT OF A PEDESTAL. PVC PIPE SHOULD **NOT** BE USED. ROTATE ONE CAP RELATIVE TO ANOTHER BY ALIGNING THE ALPHABETS TO CHANGE SLOPE. A & A WILL REACH MAXIMUM SLOPE AND A & E WILL CANCEL SLOPE. A MAXIMUM OF 5 CAPS CAN BE STACKED WITH TOTAL SLOPE OF 5/8" PER FOOT (5%) & WITH TOTAL HEIGHT OF 2-1/4" INCLUDING THE USE OF BUFFER PADS.

CONFIGURATION CHART:

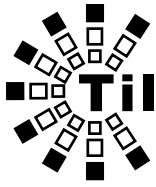
1 CAP = 5/8" HIGH	1/8" PER FOOT	1% MAX
2 CAPS = 1" HIGH	1/4" PER FOOT	2% MAX (A+A)
3 CAPS = 1-3/8" HIGH	3/8" PER FOOT	3% MAX (A+A+A)
4 CAPS = 1-7/8" HIGH	1/2" PER FOOT	4% MAX (A+A+A+A)
5 CAPS = 2-1/4" HIGH	5/8" PER FOOT	5% MAX (A+A+A+A+A)

PVC + 2 CAPS = VARIABLE HEIGHT	0% MAX
PVC + 3 CAPS = VARIABLE HEIGHT	1% MAX
PVC + 4 CAPS = VARIABLE HEIGHT	2% MAX
PVC + 5 CAPS = VARIABLE HEIGHT	3% MAX



GENERAL NOTES: APPLY TO ALL OF THE ABOVE PRODUCTS

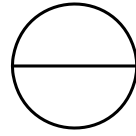
1. INSTALLATION MUST BE COMPLETED IN ACCORDANCE WITH TILE TECH INC PRODUCT SPECIFICATIONS.
2. DRAWING NOT TO SCALE.
3. USE OF BUFFER PADS IS MANDATORY.
4. CONTRACTOR'S NOTE: FOR PRODUCT AND COMPANY INFORMATION VISIT www.TILETECHPAVERS.com



Tile Tech Inc.
Paving America one step at a time!

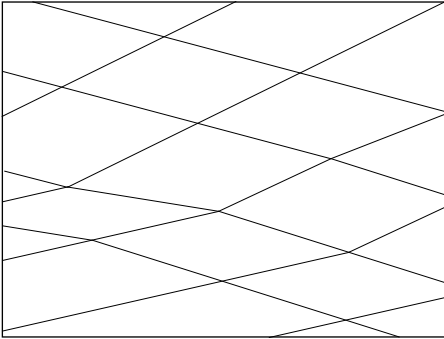
National Distribution
Toll Free: 888-380-5575

Tel: 213-380-5560
Fax: 213-380-5561

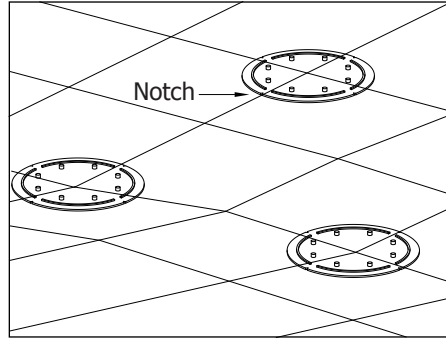


STAK-CAP™ PEDESTAL INSTRUCTIONS

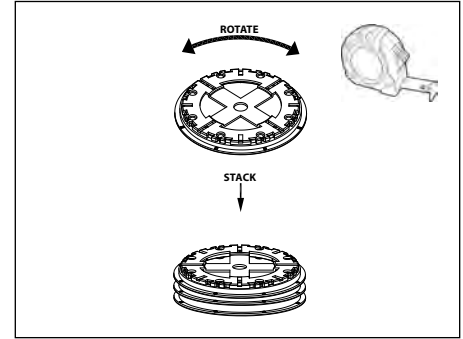
INSTALLATION INSTRUCTIONS - 1/2" to 2-1/4" HIGH & 0%-5% SLOPE



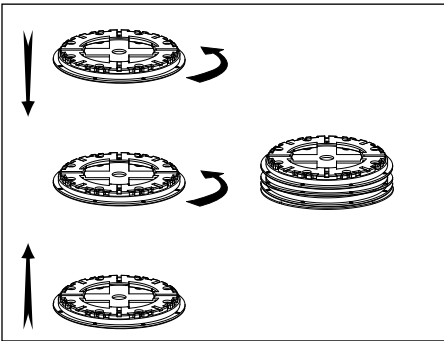
1. Chalk grid lines starting from door threshold based on paver size plus 1/8" gap.



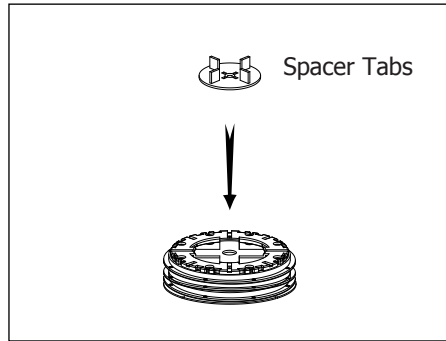
2. Position Buffer Pads on chalk grid lines using the v-notch as a reference point.



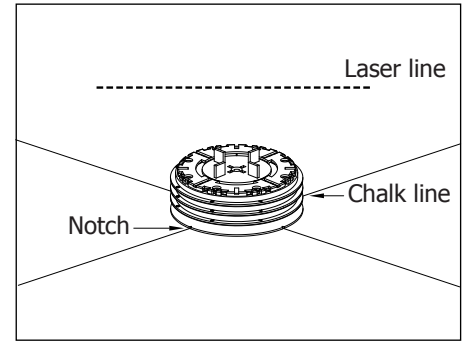
3. Using a laser determine final height of pedestals from 1/2" to 2-1/4" high. Consider in calculation the Buffer Pads as 1/8" thick.



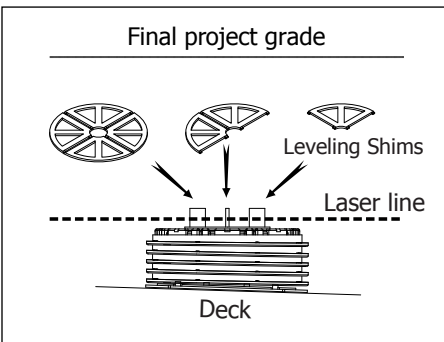
4. Assemble by rotating & aligning alphabets of one Stak-Cap™ with the Stak-Cap™ below it for slope compensation.



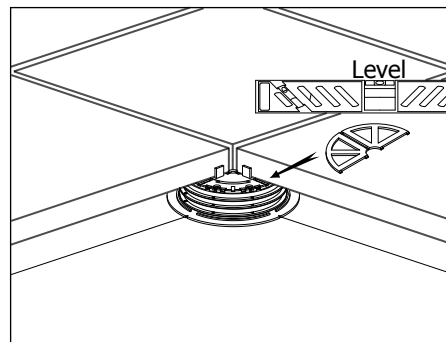
5. Complete assembly by snapping on Spacer Tabs in order to provide proper spacing of pavers. Spacer tabs are perforated and can be ripped or cut off.



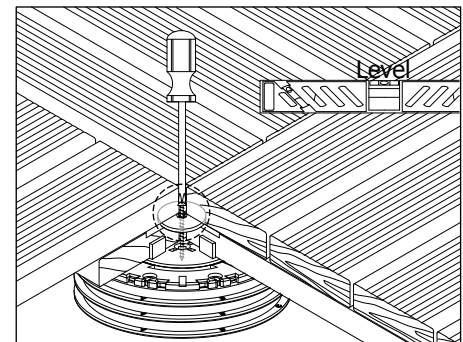
6. Position pedestal under laser line and align Buffer Pad notch with chalk line. Orient the pedestal assembly so that the top Stak-Cap™ pair high side points towards decline of slope.



7. Adjust final pedestal height by using Uni-Shims™ whole or in segments at the top of pedestal assembly.



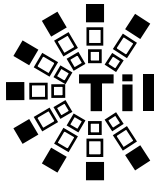
8. Use a spirit level to check level and use additional half or quarter Uni-Shims™ for fine tuning of individual corners of pavers.



9. For IPE wood insert the lock washer in to the kurf-cut on the corners of wood tiles then insert screw through lock washer and hand tighten.

GENERAL NOTES: APPLY TO ALL OF THE ABOVE PRODUCTS

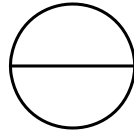
1. INSTALLATION MUST BE COMPLETED IN ACCORDANCE WITH TILE TECH INC PRODUCT SPECIFICATIONS.
2. DRAWING NOT TO SCALE.
3. CONTRACTOR'S NOTE: FOR PRODUCT AND COMPANY INFORMATION VISIT www.TILETECHPAVERS.com



Tile Tech Inc.
Paving America one step at a time!

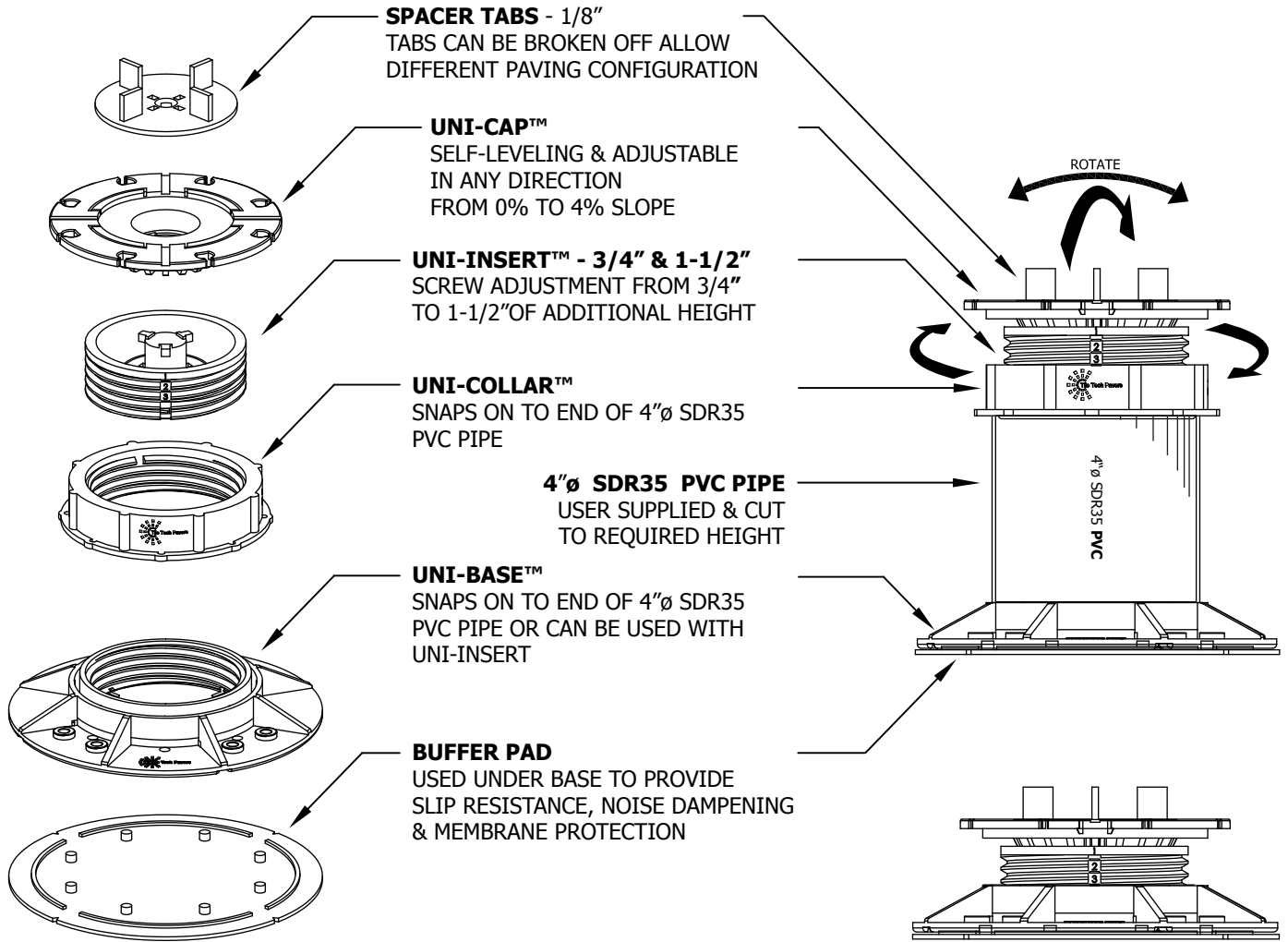
National Distribution
Toll Free: 888-380-5575

Tel: 213-380-5560
Fax: 213-380-5561



UNI-JUST™ PEDESTAL SYSTEM

COMPONENT ASSEMBLY INSTRUCTIONS.
HEIGHT ADJUSTMENT FROM 2-1/4" TO 24" & SLOPE ADJUSTMENT
FROM 0% TO 4%



PRODUCT CHARACTERISTICS:

ADJUSTABLE HEIGHT FROM 2-1/4" TO 24" WITH USE OF 4"Ø SDR35 PVC PIPE.

SELF-LEVELING CAP AUTOMATICALLY ADJUST SLOPE FROM 0% TO 4%.

SCREW ADJUSTABLE WHILE PEDESTALS ARE LOADED FOR FINAL HEIGHT ADJUSTMENT OF 1-1/2"

RESISTANT & IMPERVIOUS TO FREEZE-THAW, WATER, MOLD, ACID & ULTRAVIOLET DETERIORATION.

RESISTANT TO TEMPERATURES BETWEEN -22°F AND +250°F.

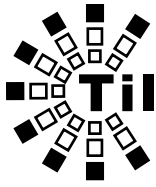
LARGE FOOT PRINT SPREADS WEIGHT OVER ROOFING MEMBRANE AND SUBSTRATE

BUFFER PADS PROVIDE NOISE DAMPENING, SLIP RESISTANCE AND PROTECTION TO ROOFING MEMBRANE AND SUBSTRATE.

MAXIMUM DESIGN CAPACITY OF 2,000 LBS PER PEDESTAL.

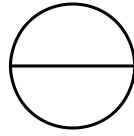
GENERAL NOTES: APPLY TO ALL OF THE ABOVE PRODUCTS

1. INSTALLATION MUST BE COMPLETED IN ACCORDANCE WITH TILE TECH INC PRODUCT SPECIFICATIONS.
2. DRAWING NOT TO SCALE.
3. USE OF BUFFER PADS IS MANDATORY.
4. CONTRACTOR'S NOTE: FOR PRODUCT AND COMPANY INFORMATION VISIT www.TILETECHPAVERS.com



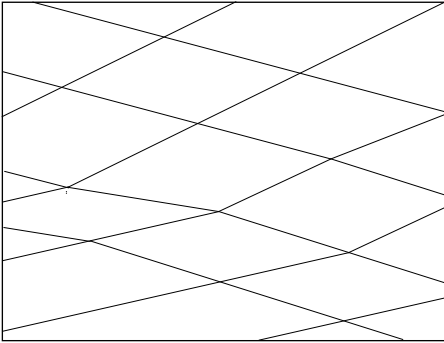
Tile Tech Inc.
Paving America one step at a time!

National Distribution Tel: 213-380-5560
Toll Free: 888-380-5575 Fax: 213-380-5561

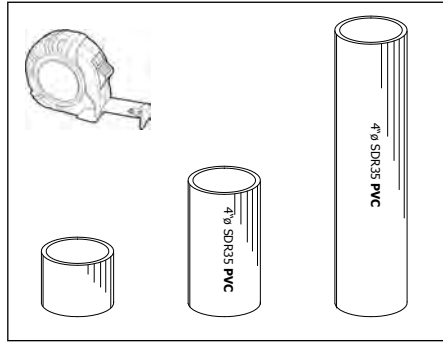


UNI-JUST™ PEDESTAL INSTRUCTIONS

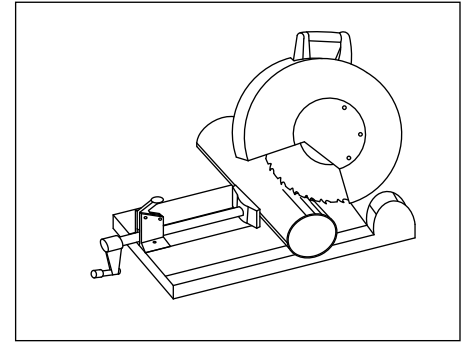
INSTALLATION INSTRUCTIONS 1/2" to 24" HIGH & 0%-4% SLOPE



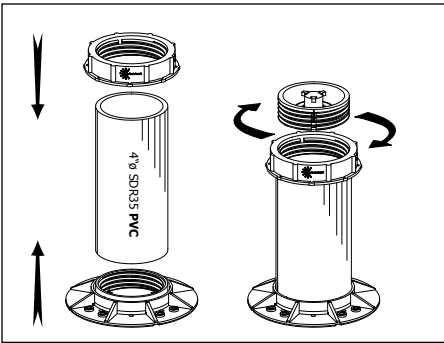
1. Chalk grid lines starting from door threshold based on paver size plus 1/8" gap.



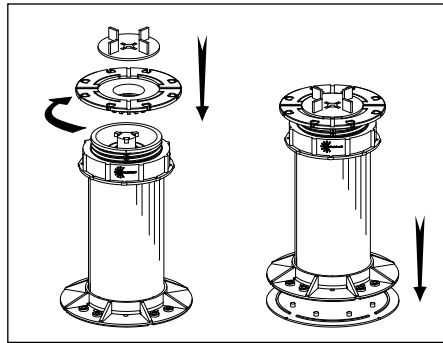
2. Using a laser determine final height of pedestals. Deduct 1/4" for base & cap assembly. Measure & mark PVC pipe to be cut.



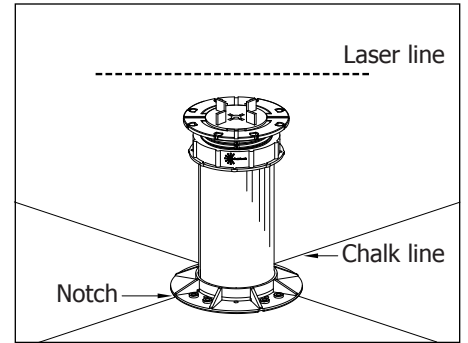
3. Cut PVC pipe to required height with a 12" chop saw. Using sand paper remove any burrs from cut ends.



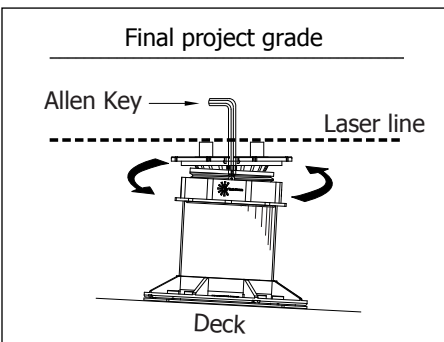
4. Assemble by inserting cut PVC pipe in to Uni-Base™ and Uni-Collar™ in to other end of PVC pipe. Screw Uni-Insert™ in to Uni-Collar™ minimum of 2 threads.



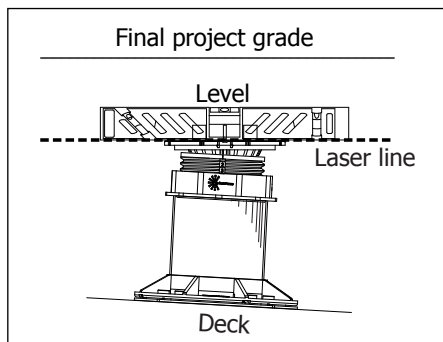
5. Complete assembly by rotating & aligning Uni-Cap™ with Uni-Insert™. Align & attach Buffer Pad to Uni-Base.



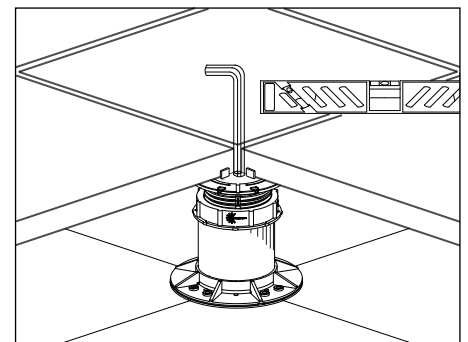
6. Position pedestal under laser line and align Buffer Pad notch with chalk line.



7. Adjust final pedestal height by using Allen Key from top to screw up or down Uni-Insert™.



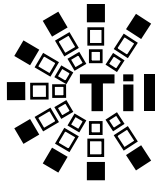
8. Use a spirit level to level Uni-Cap™ in any direction.



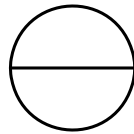
9. Use Allen Key to fine tune loaded pedestal for a perfect level & height.

GENERAL NOTES: APPLY TO ALL OF THE ABOVE PRODUCTS

1. INSTALLATION MUST BE COMPLETED IN ACCORDANCE WITH TILE TECH INC PRODUCT SPECIFICATIONS.
2. DRAWING NOT TO SCALE.
3. CONTRACTOR'S NOTE: FOR PRODUCT AND COMPANY INFORMATION VISIT www.TILETECHPAVERS.com



Tile Tech Inc.
Paving America one step at a time!



BASE SLOPE PLATE

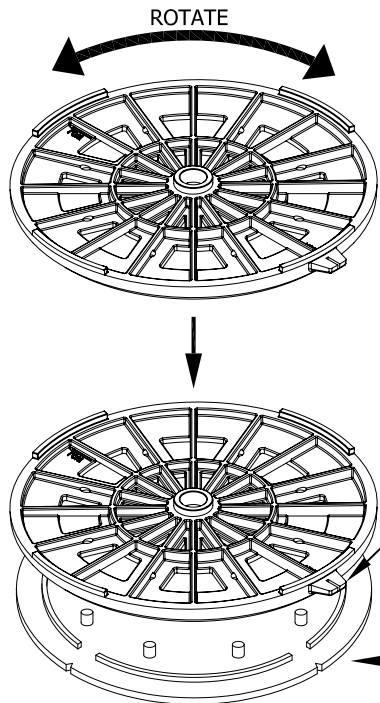
BASE SLOPE ADJUSTMENT FROM 0" TO 1" (0-8%) PER FOOT SLOPE.

National Distribution

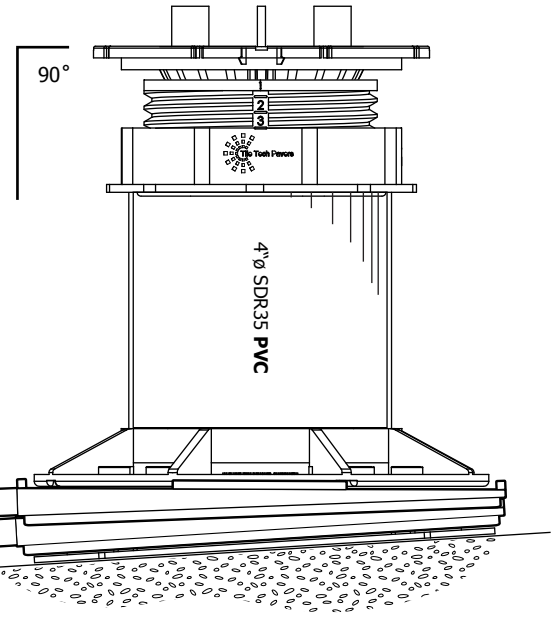
Tel: 213-380-5560

Toll Free: 888-380-5575

Fax: 213-380-5561



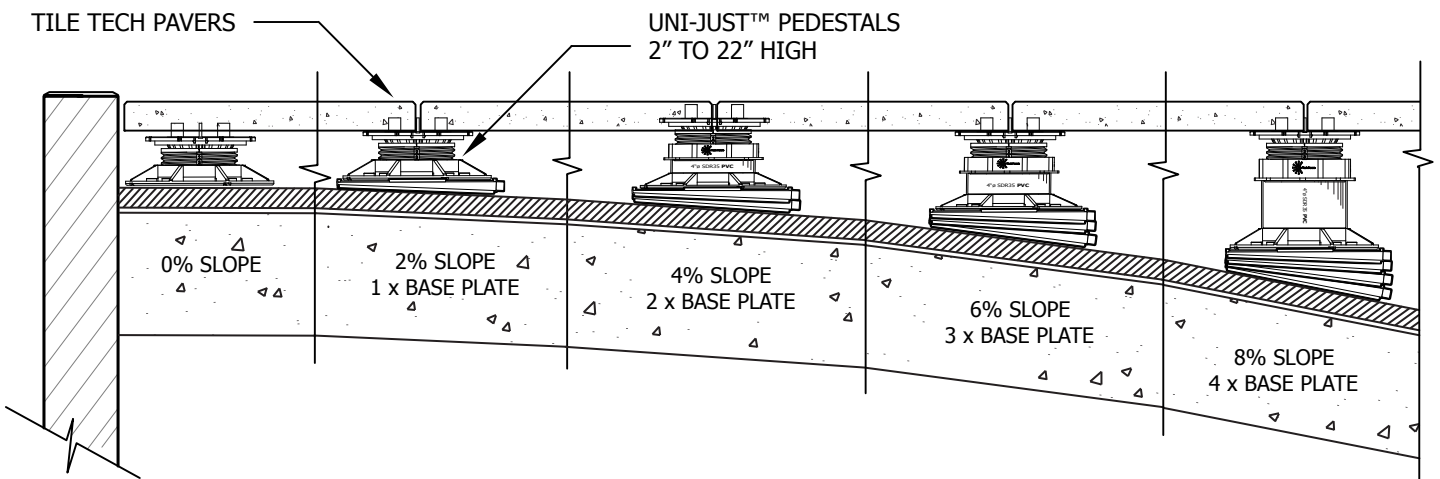
STACK AND ROTATE ONE PLATE RELATIVE TO ANOTHER TO COMPENSATE FOR A RANGE OF SLOPES. POINT BOTH FINGER TABS DOWN HILL FOR MAXIMUM SLOPE COMPENSATION.



FOR BASE LEVELING, BASE SLOPE PLATES (BSP) CAN BE STACKED UNDER UNI-BASE AND EACH PLATE COMPENSATES FOR 1/4" PER FOOT (2%) SLOPE AND ADDS 3/8" TO THE OVERALL HEIGHT OF PEDESTAL. A MAXIMUM OF FOUR PLATES MAY BE STACKED BELOW A PEDESTAL IN ORDER TO COMPENSATE FOR UP TO 1" PER FOOT (0-8%) SLOPE. ALWAYS USE A BUFFER PAD UNDER COMPLETE PEDESTAL ASSEMBLY.

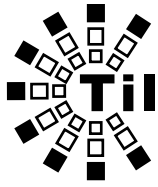
A1

BASE SLOPE PLATE APPLICATION - SECTION DETAILS



GENERAL NOTES: APPLY TO ALL OF THE ABOVE PRODUCTS

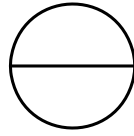
1. INSTALLATION MUST BE COMPLETED IN ACCORDANCE WITH TILE TECH INC PRODUCT SPECIFICATIONS.
2. DRAWING NOT TO SCALE.
3. USE OF BUFFER PADS IS MANDATORY.
4. CONTRACTOR'S NOTE: FOR PRODUCT AND COMPANY INFORMATION VISIT www.TILETECHPAVERS.com



Tile Tech Inc.
Paving America one step at a time!

National Distribution
Toll Free: 888-380-5575

Tel: 213-380-5560
Fax: 213-380-5561

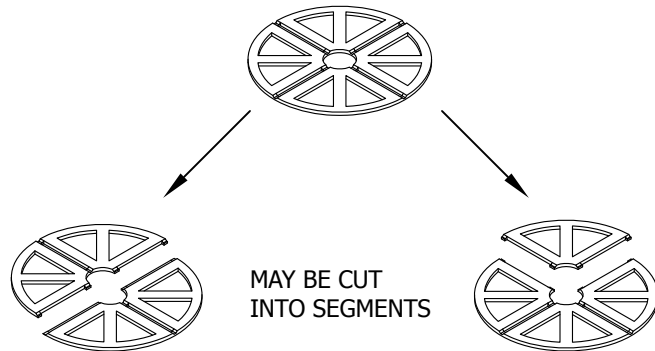


UNI-SHIM™ APPLICATION

1/8" & 1/16" RIGID SHIMS USED ON TOP AND UNDER PEDESTAL

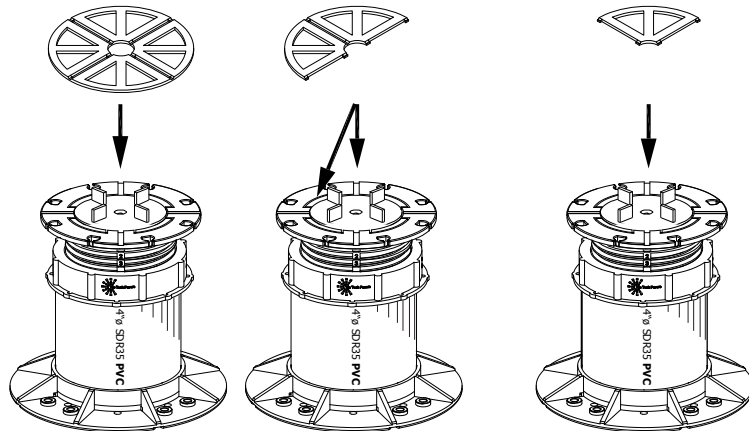
UNI-SHIM™ 1/8" & 1/16"

A UNI-SHIM 1/8" OR 1/16" MAY BE PLACED ON TOP OF EACH PEDESTAL. UNIQUE INTERLOCKING FEATURE ALLOWS SHIMS LOCK TO EACH OTHER AND TO PEDESTAL TOPS, NO GLUING REQUIRED. SHIMS MAY BE USED WHOLE OR BROKEN INTO SEGMENTS FOR FINE TUNING & LEVELING.



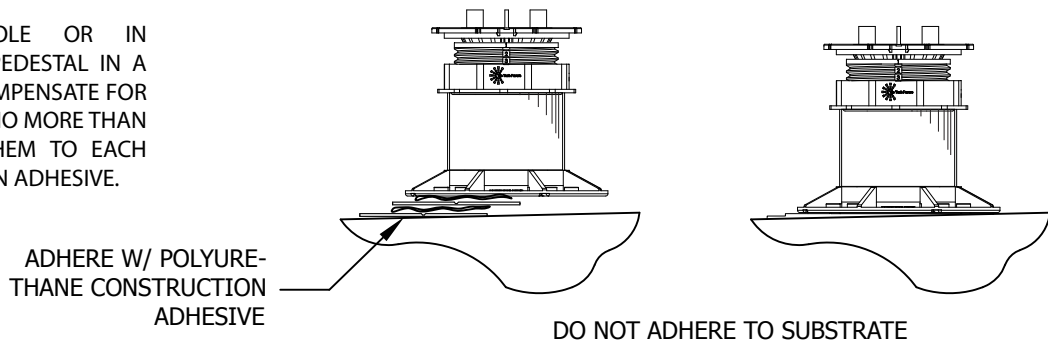
UNI-SHIM™ TOP OF PEDESTAL

UNI-SHIMS MAY BE PLACED ON TOP OF PEDESTALS FOR MINOR LEVELING OF PAVERS WITH THICKNESS VARIATIONS. USE NO MORE THAN 3 SHIMS STACKED PER CORNER.



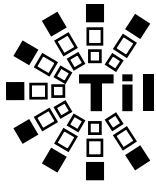
UNI-SHIM™ UNDER PEDESTAL

PLACE UNI-SHIMS, WHOLE OR IN SEGMENTS, UNDER EACH PEDESTAL IN A STAIR STEP FASHION TO COMPENSATE FOR SLOPING SUBSTRATES. USE NO MORE THAN 2 SHIMS, AND ADHERE THEM TO EACH OTHER WITH CONSTRUCTION ADHESIVE.



GENERAL NOTES: APPLY TO ALL OF THE ABOVE PRODUCTS

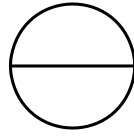
1. INSTALLATION MUST BE COMPLETED IN ACCORDANCE WITH TILE TECH INC PRODUCT SPECIFICATIONS.
2. DRAWING NOT TO SCALE.
3. USE OF BUFFER PADS IS MANDATORY.
4. CONTRACTOR'S NOTE: FOR PRODUCT AND COMPANY INFORMATION VISIT www.TILETECHPAVERS.com



Tile Tech Inc.
Paving America one step at a time!

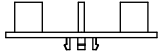
National Distribution
Toll Free: 888-380-5575

Tel: 213-380-5560
Fax: 213-380-5561

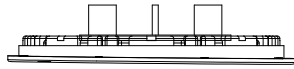


STAK-CAP™ & UNI-JUST™ PEDESTALS

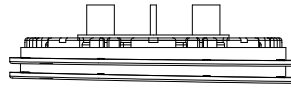
SAMPLE PEDESTAL CONFIGURATION & COMBINATION
COMPENSATION FROM 1/2" TO 36" HIGH & 0% TO 4% SLOPE



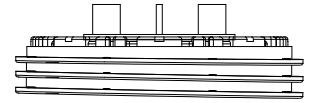
SPACER
FIXED HEIGHT 1/8"



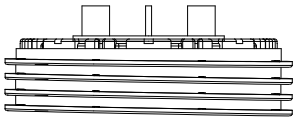
STAK-CAP™
HEIGHT 3/8" SLOPE 1% Max



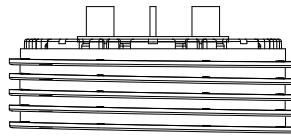
STAK-CAP™ X2
HEIGHT 1" SLOPE 2% Max



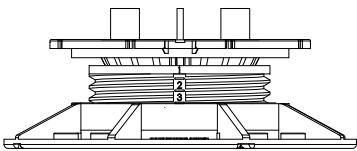
STAK-CAP™ X3
HEIGHT 1-3/8" SLOPE 3% Max



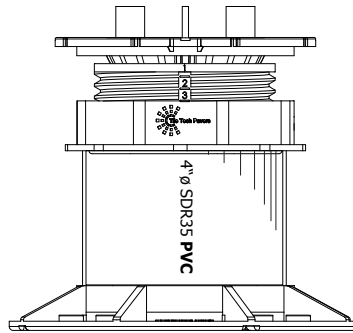
STAK-CAP™ X4
HEIGHT 1-7/8" SLOPE 4% Max



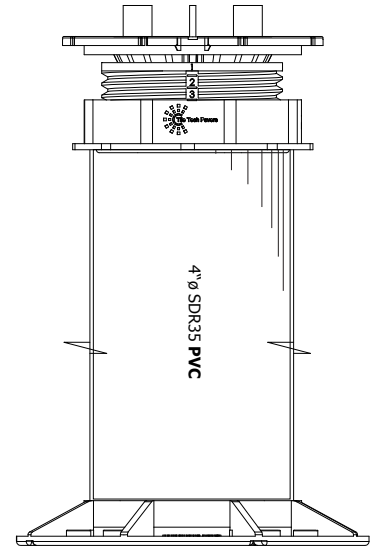
STAK-CAP™ X5
HEIGHT 2-1/4" SLOPE 5% Max



UNI-JUST™ w/o PVC PIPE
HEIGHT 2-1/4" TO 3"
SLOPE 0% TO 4%



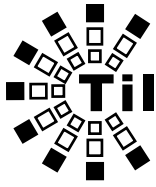
UNI-JUST™ w/ PVC PIPE
HEIGHT 3" TO 3-3/4"
SLOPE 0% TO 4%



UNI-JUST™ w/ PVC PIPE
HEIGHT "VARIABLE" MAX 36"
SLOPE 0% TO 4%

GENERAL NOTES: APPLY TO ALL OF THE ABOVE PRODUCTS

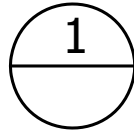
1. INSTALLATION MUST BE COMPLETED IN ACCORDANCE WITH TILE TECH INC PRODUCT SPECIFICATIONS.
2. DRAWING NOT TO SCALE.
3. USE OF BUFFER PADS IS MANDATORY.
4. CONTRACTOR'S NOTE: FOR PRODUCT AND COMPANY INFORMATION VISIT www.TILETECHPAVERS.com



Tile Tech Inc.
Paving America one step at a time!

National Distribution
Toll Free: 888-380-5575

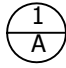
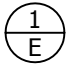
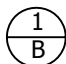
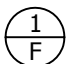
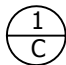
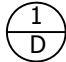
Tel: 213-380-5560
Fax: 213-380-5561

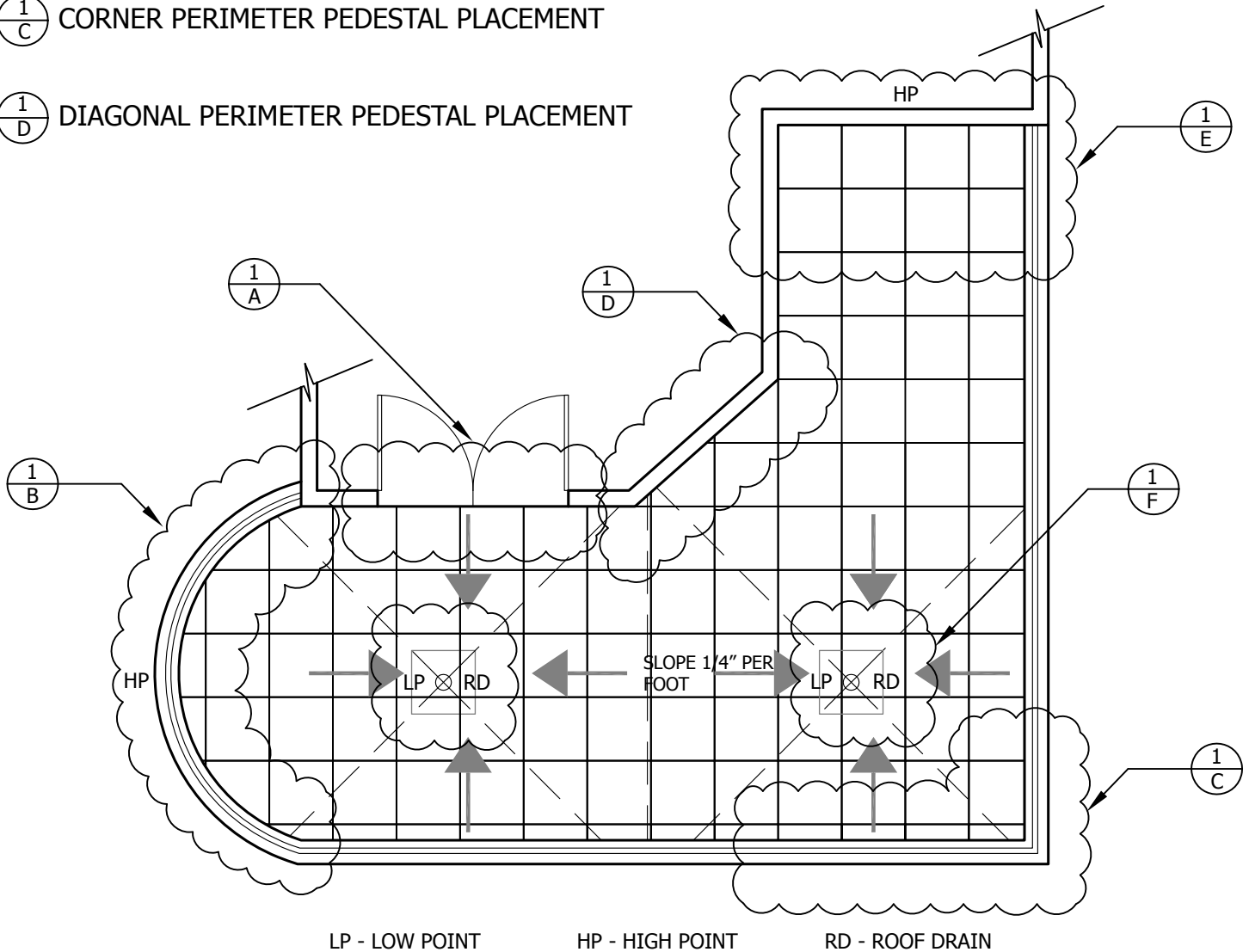


SAMPLE DECK LAYOUT

OVERVIEW OF PEDESTAL PLACEMENT

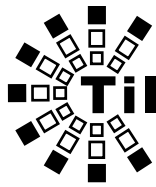
SEE ENLARGED SECTION PLANS:

-  DOOR THRESHOLD PEDESTAL PLACEMENT
-  LOW THRESHOLD PEDESTAL PLACEMENT
-  RADIUS PERIMETER PEDESTAL PLACEMENT
-  ROOF DRAIN PEDESTAL PLACEMENT
-  CORNER PERIMETER PEDESTAL PLACEMENT
-  DIAGONAL PERIMETER PEDESTAL PLACEMENT



GENERAL NOTES: APPLY TO ALL OF THE ABOVE PRODUCTS

1. INSTALLATION MUST BE COMPLETED IN ACCORDANCE WITH TILE TECH INC PRODUCT SPECIFICATIONS.
2. DRAWING NOT TO SCALE.
3. USE OF BUFFER PADS IS MANDATORY.
4. CONTRACTOR'S NOTE: FOR PRODUCT AND COMPANY INFORMATION VISIT www.TILETECHPAVERS.com



Tile Tech Inc.
Paving America one step at a time!

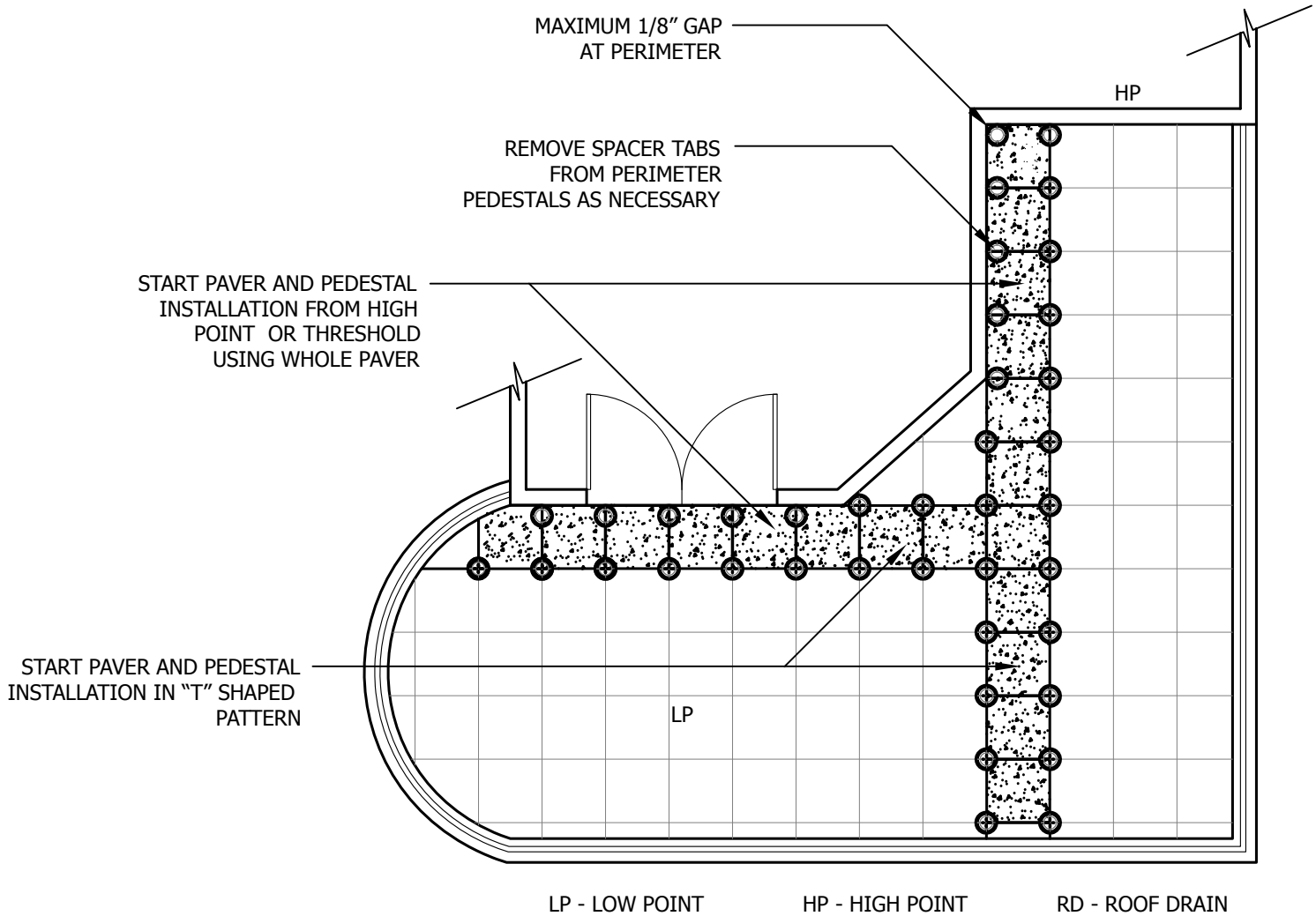
National Distribution
Toll Free: 888-380-5575

Tel: 213-380-5560
Fax: 213-380-5561

2

SAMPLE INITIAL INSTALLATION

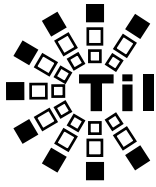
USING "T" SHAPED PATTERN



DETERMINE CAVITY HEIGHT AT ALL THRESHOLDS, DRAINS AND HIGH POINTS. DEDUCT THE THICKNESS OF THE PAVERS FROM THE MEASURED DISTANCE BETWEEN THE TOP OF THE MEMBRANE AND THE TOP OF THE PAVERS TO DETERMINE THE PEDESTAL HEIGHT NEEDED FOR EACH LOCATION. USE A LASER LEVEL TO MARK THE TOP OF PEDESTAL ELEVATION AROUND THE DECK. PLAN PAVER & PEDESTAL LAYOUT PATTERN BEFORE STARTING, BY MARKING GUIDELINES ON THE ROOF IF NEEDED. USING THE GUIDELINES INSTALL A "T" SHAPED PORTION OF THE NEW DECK STARTING FROM THE THRESHOLD OR HIGH POINT. PAVERS ON BOTH ROWS OF THE "T" SHOULD BE ADJUSTED TO THE CORRECT HEIGHT AND LEVELED BEFORE PROCEEDING. INSTALLATION ON ALL SIDES OF THE "T" CAN THEN PROCEED AT THE SAME TIME.

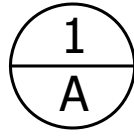
GENERAL NOTES: APPLY TO ALL OF THE ABOVE PRODUCTS

1. INSTALLATION MUST BE COMPLETED IN ACCORDANCE WITH TILE TECH INC PRODUCT SPECIFICATIONS.
2. DRAWING NOT TO SCALE.
3. USE OF BUFFER PADS IS MANDATORY.
4. CONTRACTOR'S NOTE: FOR PRODUCT AND COMPANY INFORMATION VISIT www.TILETECHPAVERS.com



Tile Tech Inc.
Paving America one step at a time!

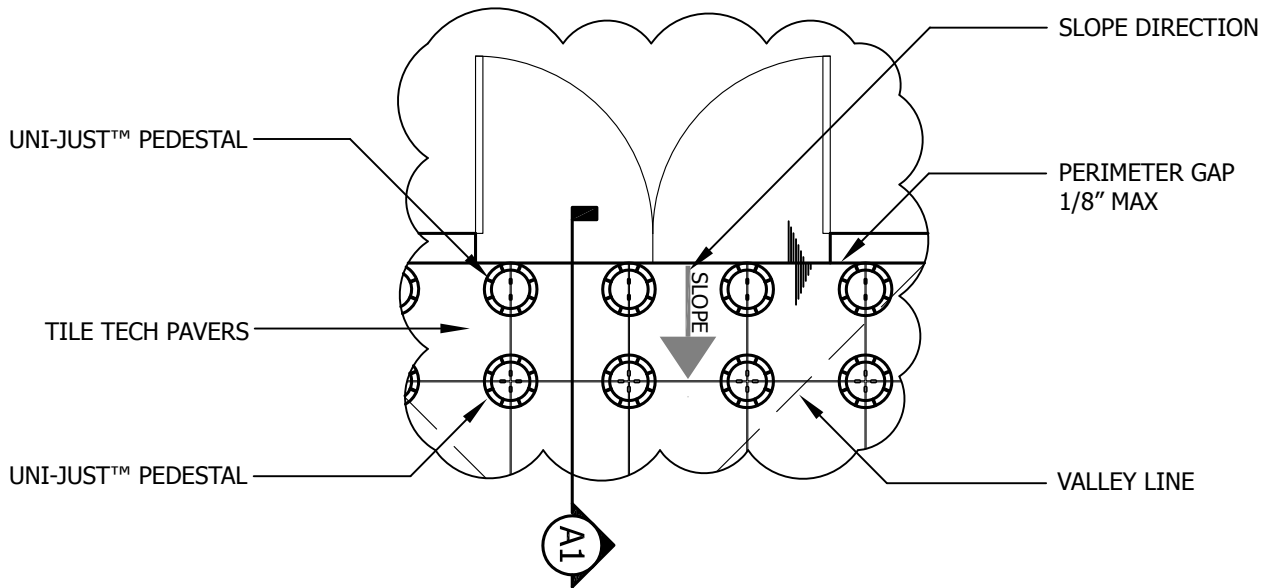
National Distribution Tel: 213-380-5560
Toll Free: 888-380-5575 Fax: 213-380-5561



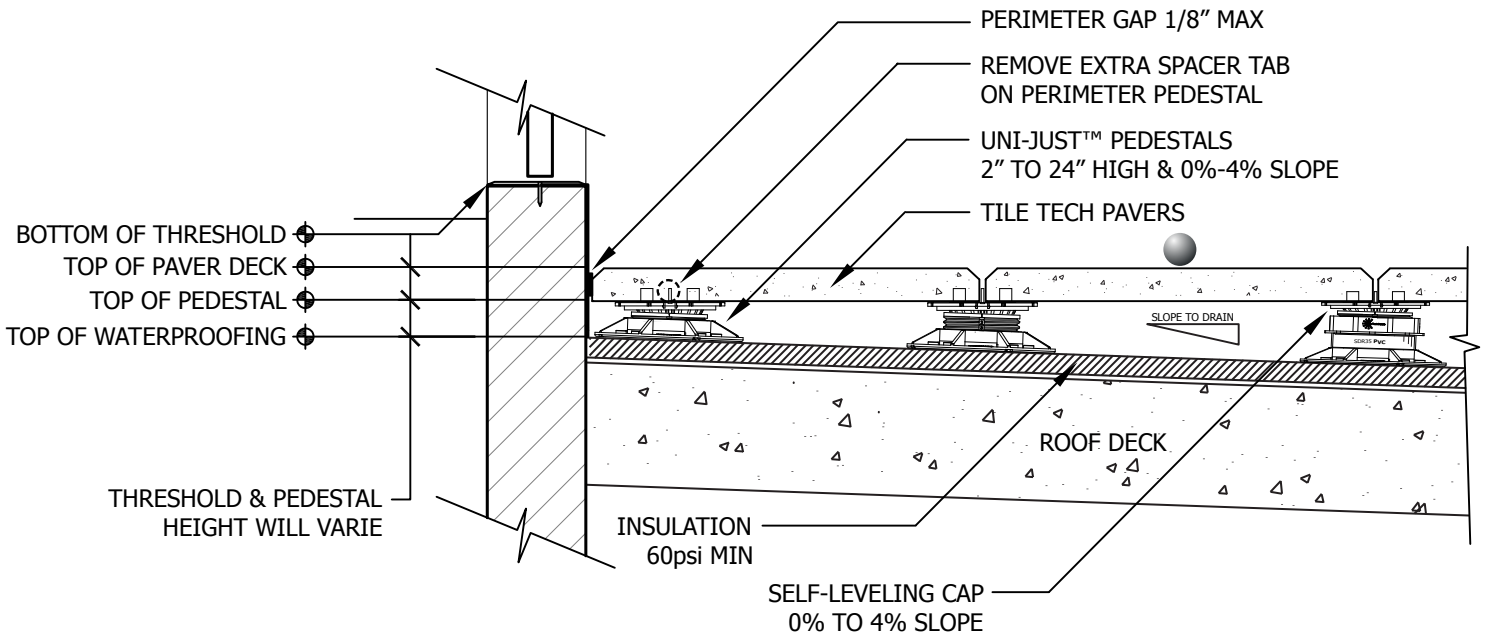
THRESHOLD PEDESTAL APPLICATION

ENLARGED PLAN VIEW & SECTION DETAILS

ENLARGED PLAN VIEW

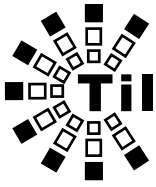


THRESHOLD PEDESTAL APPLICATION - SECTION DETAILS

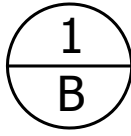


GENERAL NOTES: APPLY TO ALL OF THE ABOVE PRODUCTS

1. INSTALLATION MUST BE COMPLETED IN ACCORDANCE WITH TILE TECH INC PRODUCT SPECIFICATIONS.
2. DRAWING NOT TO SCALE.
3. USE OF BUFFER PADS IS MANDATORY.
4. CONTRACTOR'S NOTE: FOR PRODUCT AND COMPANY INFORMATION VISIT www.TILETECHPAVERS.com



Tile Tech Inc.
Paving America one step at a time!

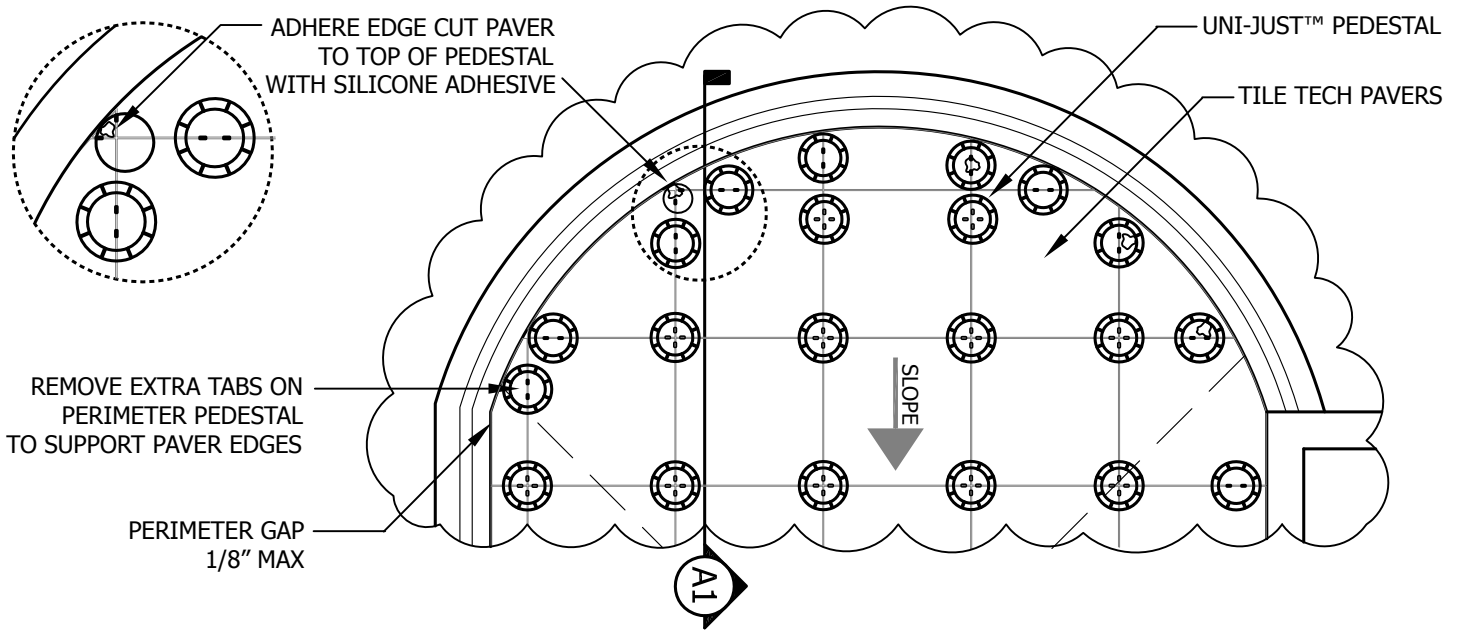


RADIUS PEDESTAL APPLICATION

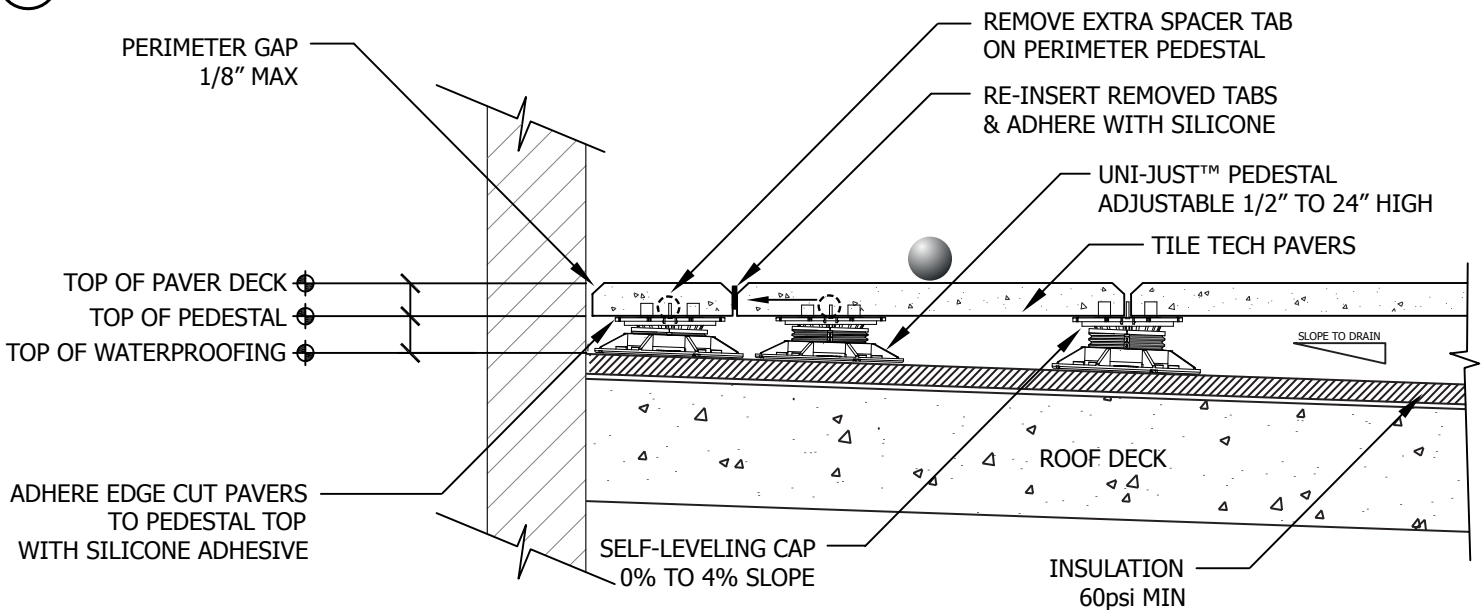
ENLARGED PLAN VIEW & SECTION DETAILS

National Distribution Tel: 213-380-5560
Toll Free: 888-380-5575 Fax: 213-380-5561

ENLARGED PLAN VIEW

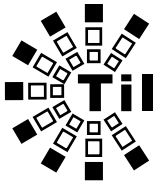


RADIUS PEDESTAL APPLICATION - SECTION DETAILS

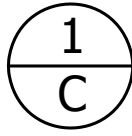


GENERAL NOTES: APPLY TO ALL OF THE ABOVE PRODUCTS

1. INSTALLATION MUST BE COMPLETED IN ACCORDANCE WITH TILE TECH INC PRODUCT SPECIFICATIONS.
2. DRAWING NOT TO SCALE.
3. USE OF BUFFER PADS IS MANDATORY.
4. CONTRACTOR'S NOTE: FOR PRODUCT AND COMPANY INFORMATION VISIT www.TILETECHPAVERS.com



Tile Tech Inc.
Paving America one step at a time!

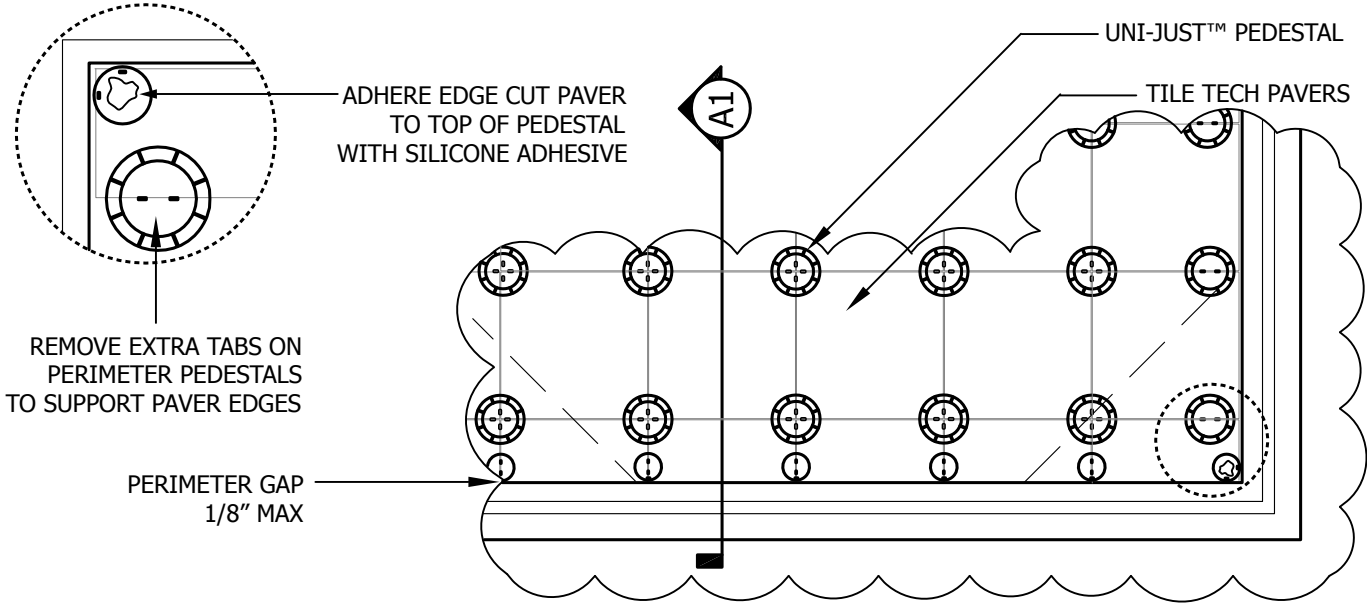


CORNER PEDESTAL APPLICATION

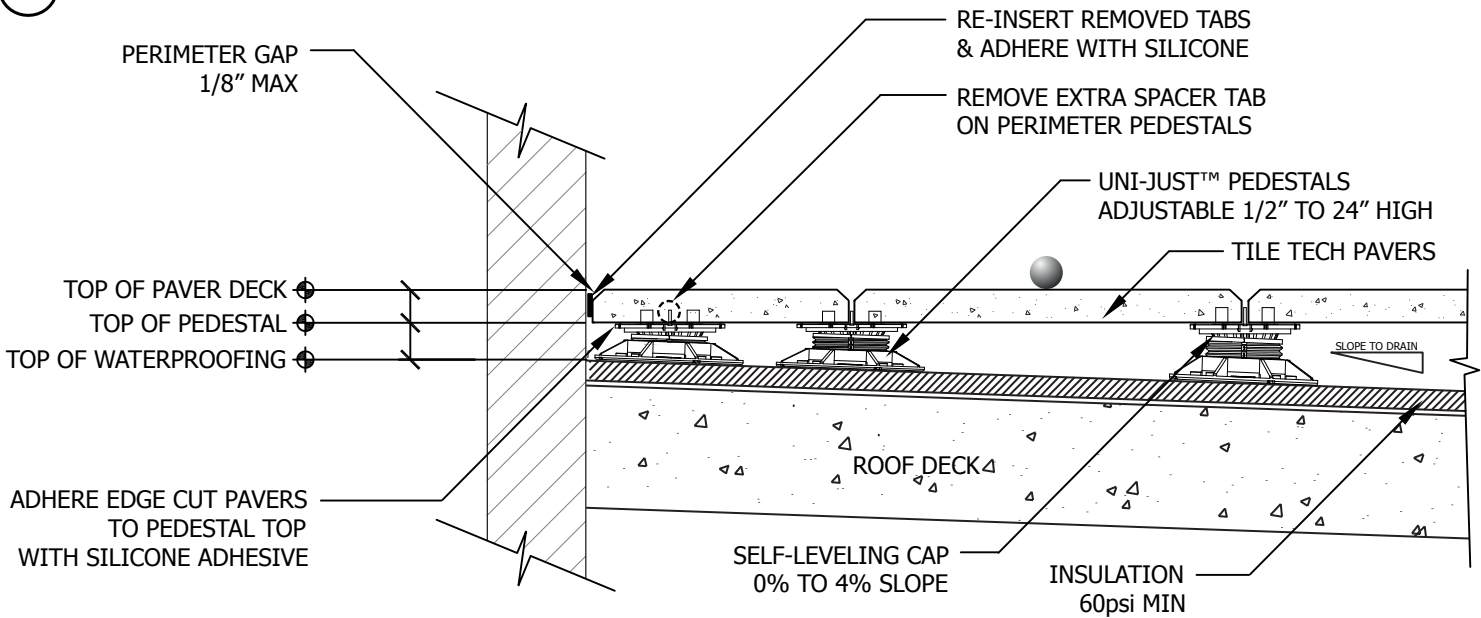
ENLARGED PLAN VIEW & SECTION DETAILS

National Distribution Tel: 213-380-5560
Toll Free: 888-380-5575 Fax: 213-380-5561

ENLARGED PLAN VIEW

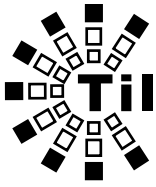


A1 CORNER PEDESTAL APPLICATION - SECTION DETAILS



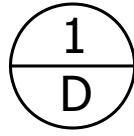
GENERAL NOTES: APPLY TO ALL OF THE ABOVE PRODUCTS

1. INSTALLATION MUST BE COMPLETED IN ACCORDANCE WITH TILE TECH INC PRODUCT SPECIFICATIONS.
2. DRAWING NOT TO SCALE.
3. USE OF BUFFER PADS IS MANDATORY.
4. CONTRACTOR'S NOTE: FOR PRODUCT AND COMPANY INFORMATION VISIT www.TILETECHPAVERS.com



Tile Tech Inc.
Paving America one step at a time!

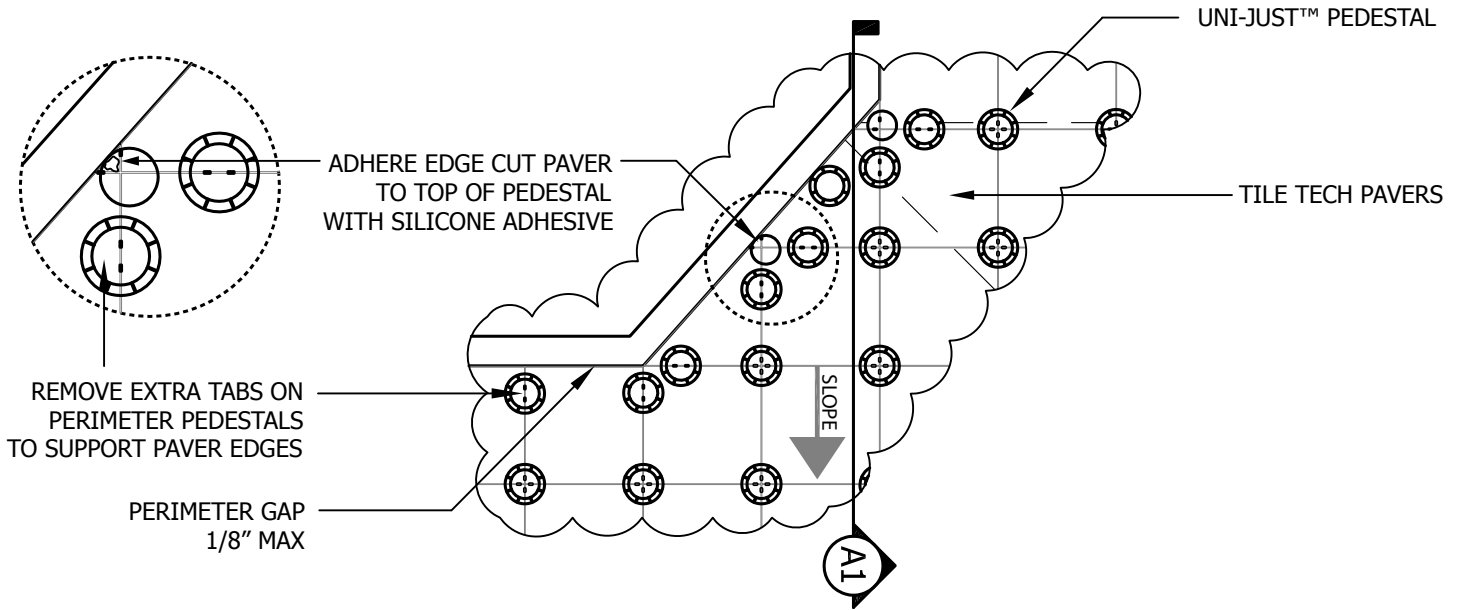
National Distribution Tel: 213-380-5560
Toll Free: 888-380-5575 Fax: 213-380-5561



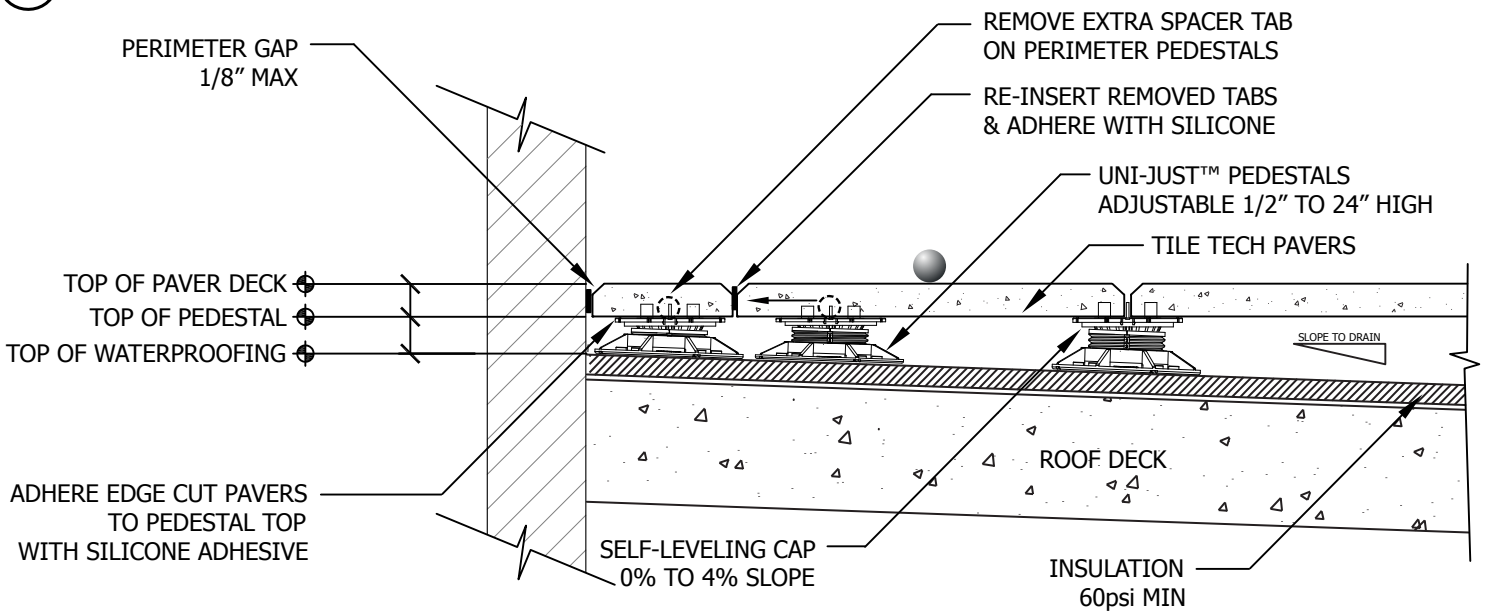
DIAGONAL PERIMETER APPLICATION

ENLARGED PLAN VIEW & SECTION DETAILS

ENLARGED PLAN VIEW

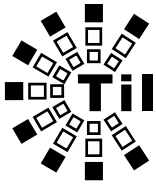


DIAGONAL PEDESTAL APPLICATION - SECTION DETAILS



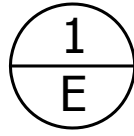
GENERAL NOTES: APPLY TO ALL OF THE ABOVE PRODUCTS

1. INSTALLATION MUST BE COMPLETED IN ACCORDANCE WITH TILE TECH INC PRODUCT SPECIFICATIONS.
2. DRAWING NOT TO SCALE.
3. USE OF BUFFER PADS IS MANDATORY.
4. CONTRACTOR'S NOTE: FOR PRODUCT AND COMPANY INFORMATION VISIT www.TILETECHPAVERS.com



Tile Tech Inc.
Paving America one step at a time!

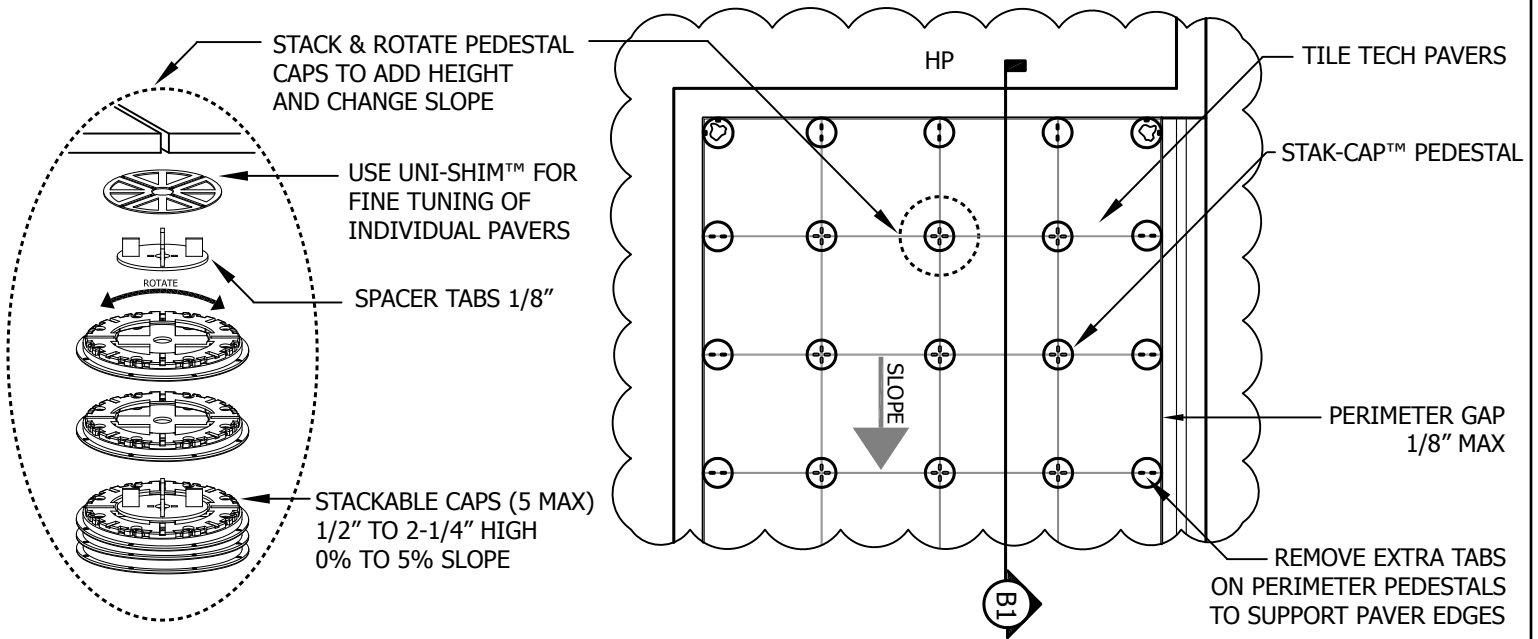
National Distribution Tel: 213-380-5560
Toll Free: 888-380-5575 Fax: 213-380-5561



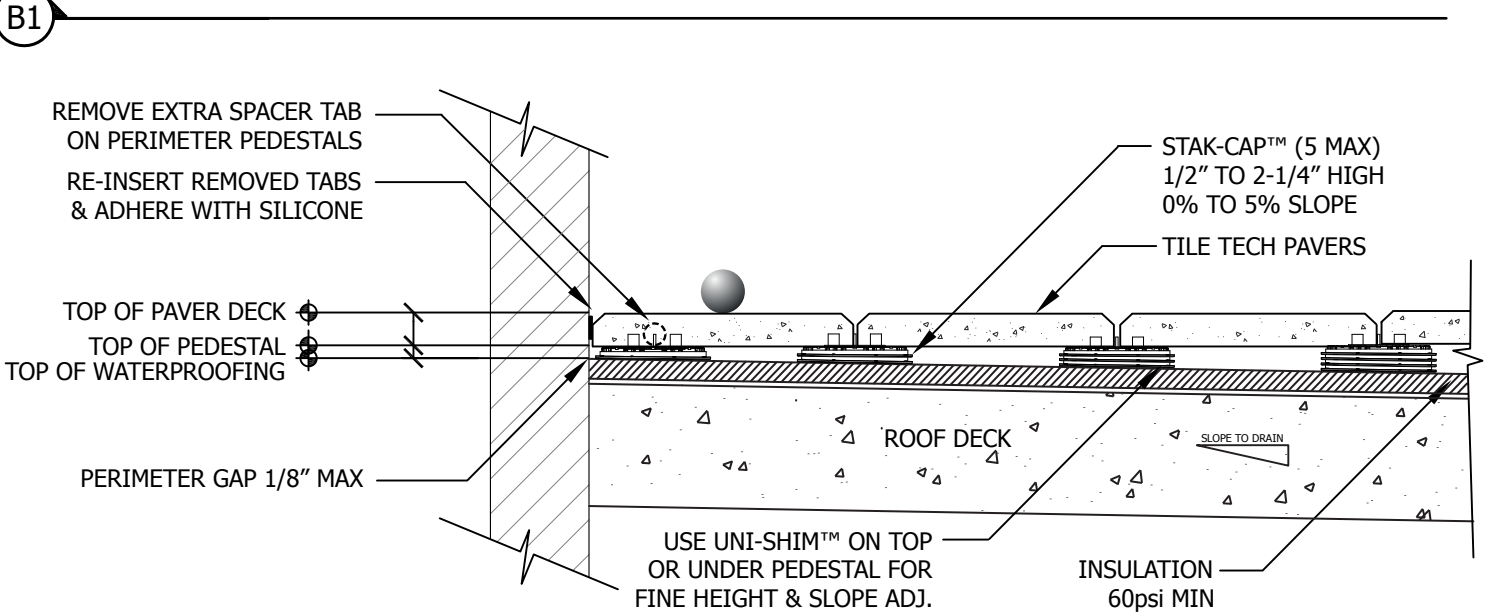
LOW HEIGHT PEDESTAL APPLICATION

ENLARGED PLAN VIEW & SECTION DETAILS

ENLARGED PLAN VIEW

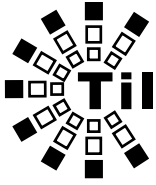


LOW HEIGHT PEDESTAL APPLICATION - SECTION DETAILS



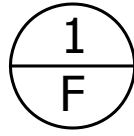
GENERAL NOTES: APPLY TO ALL OF THE ABOVE PRODUCTS

1. INSTALLATION MUST BE COMPLETED IN ACCORDANCE WITH TILE TECH INC PRODUCT SPECIFICATIONS.
2. DRAWING NOT TO SCALE.
3. USE OF BUFFER PADS IS MANDATORY.
4. CONTRACTOR'S NOTE: FOR PRODUCT AND COMPANY INFORMATION VISIT WWW.TILETECHPAVERS.COM



Tile Tech Inc.
Paving America one step at a time!

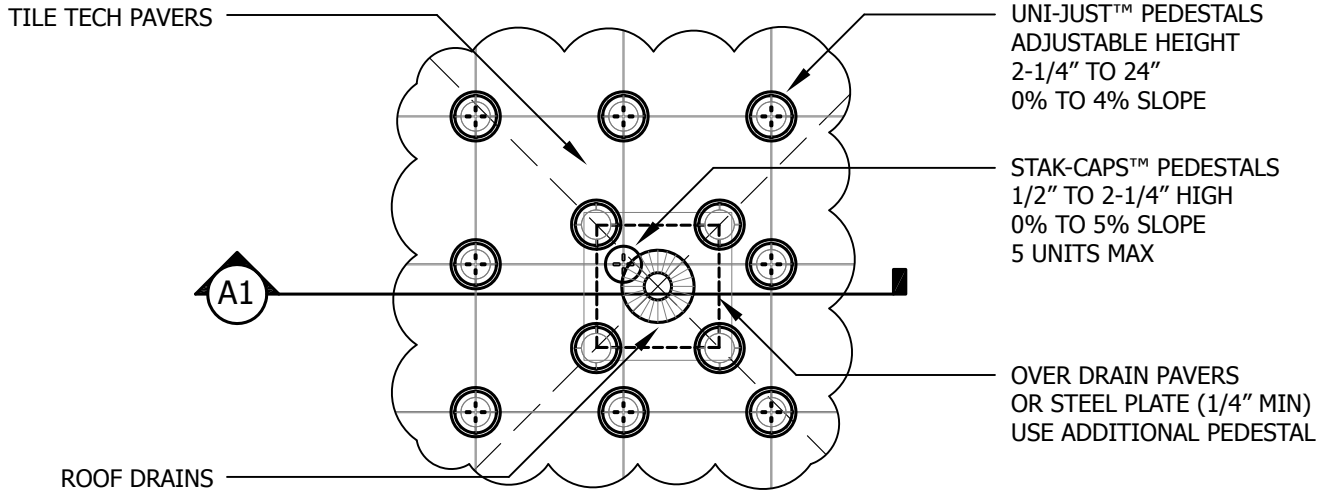
National Distribution Tel: 213-380-5560
Toll Free: 888-380-5575 Fax: 213-380-5561



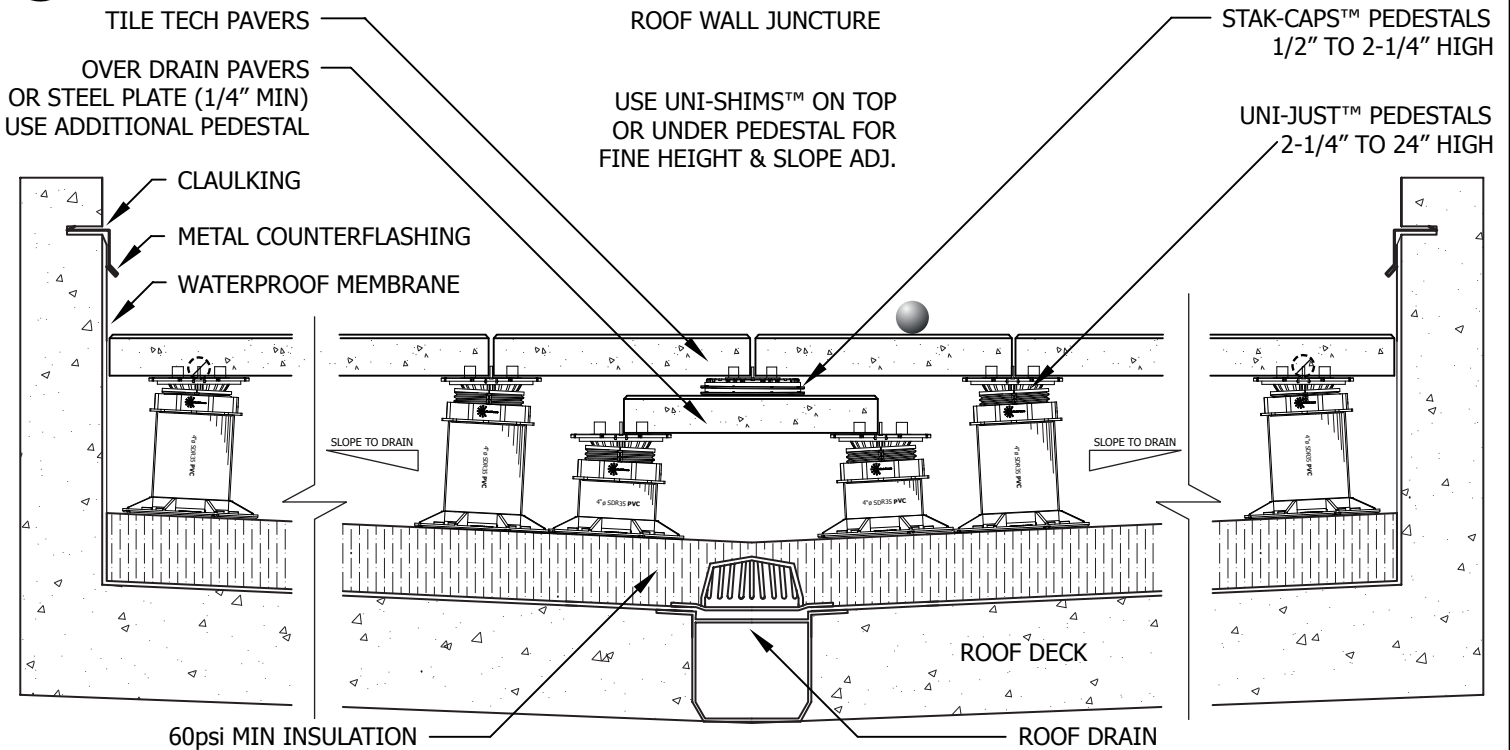
DRAIN PEDESTAL APPLICATION

ENLARGED PLAN VIEW & SECTION DETAILS

ENLARGED PLAN VIEW



DRAIN PEDESTAL APPLICATION - SECTION DETAILS

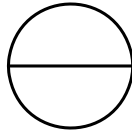


GENERAL NOTES: APPLY TO ALL OF THE ABOVE PRODUCTS

1. INSTALLATION MUST BE COMPLETED IN ACCORDANCE WITH TILE TECH INC PRODUCT SPECIFICATIONS.
2. DRAWING NOT TO SCALE.
3. USE OF BUFFER PADS IS MANDATORY.
4. CONTRACTOR'S NOTE: FOR PRODUCT AND COMPANY INFORMATION VISIT www.TILETECHPAVERS.com



Tile Tech Inc.
Paving America one step at a time!



PERIMETER EDGE RESTRAINT OPTIONS

METAL FLASHING AND WOOD FASCIA CONTAINMENT DETAILS

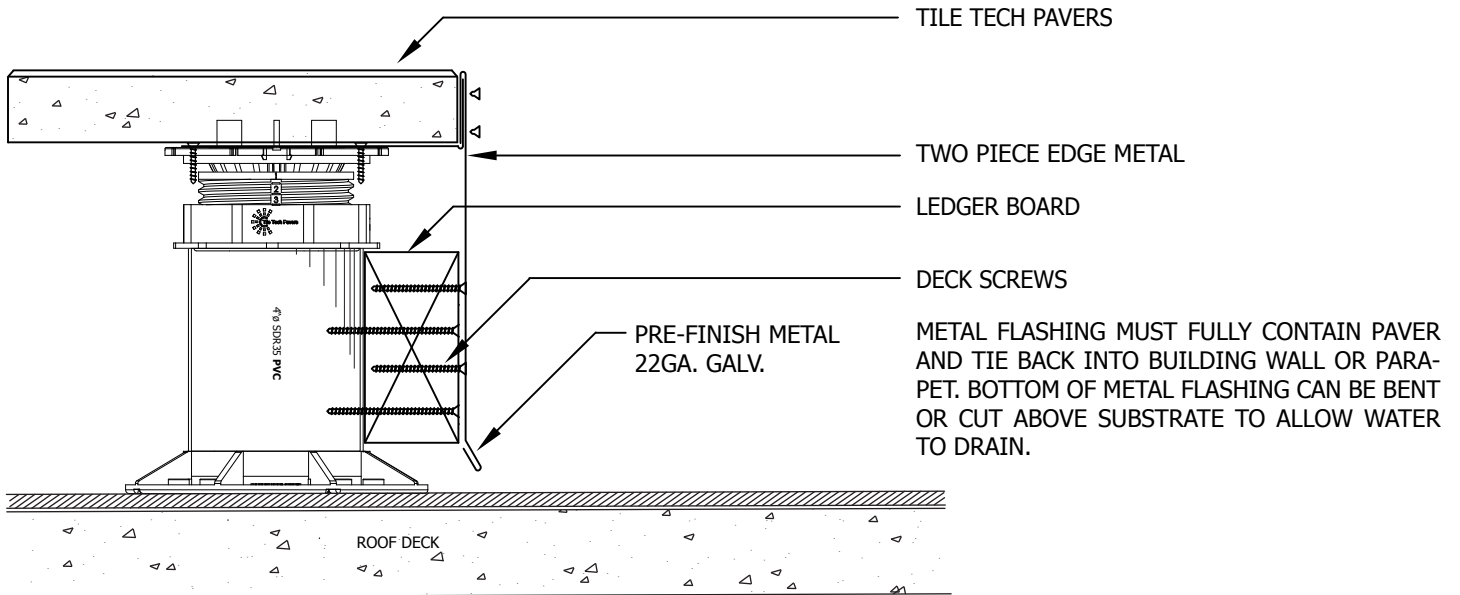
National Distribution

Tel: 213-380-5560

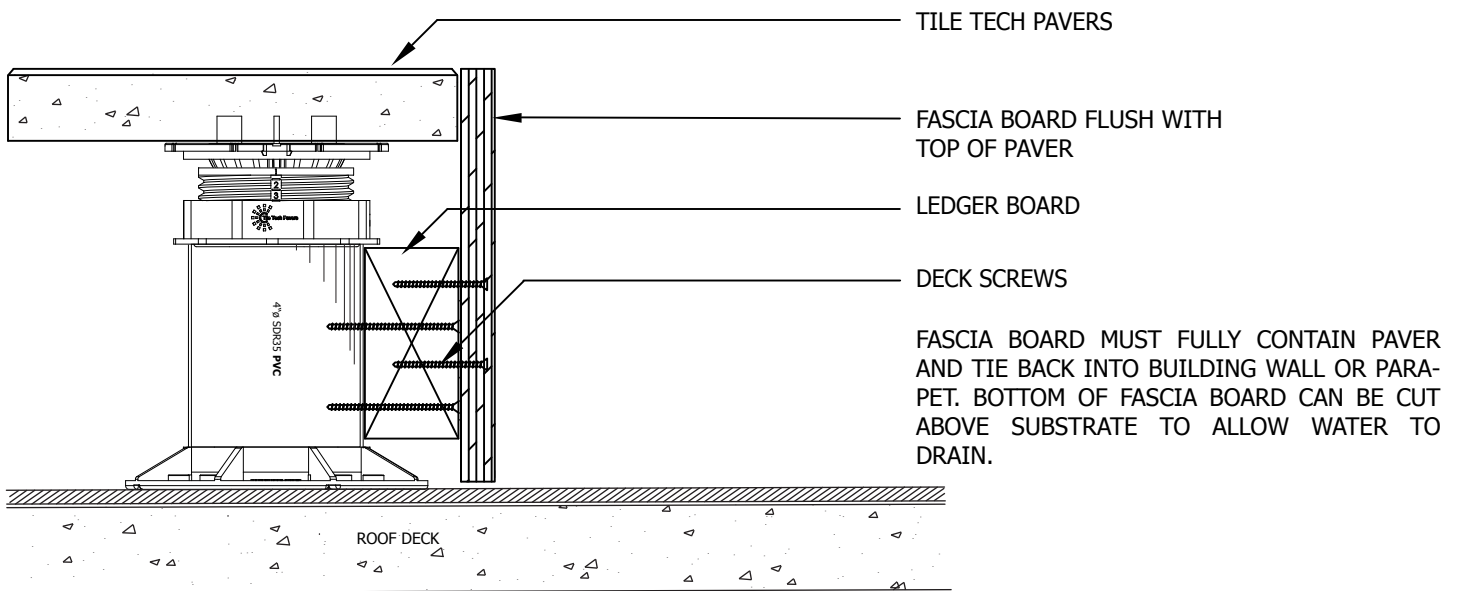
Toll Free: 888-380-5575

Fax: 213-380-5561

METAL FLASHING CONTAINMENT

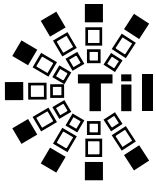


WOOD FASCIA CONTAINMENT

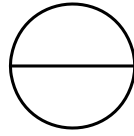


GENERAL NOTES: APPLY TO ALL OF THE ABOVE PRODUCTS

1. INSTALLATION MUST BE COMPLETED IN ACCORDANCE WITH TILE TECH INC PRODUCT SPECIFICATIONS.
2. DRAWING NOT TO SCALE.
3. USE OF BUFFER PADS IS MANDATORY.
4. CONTRACTOR'S NOTE: FOR PRODUCT AND COMPANY INFORMATION VISIT www.TILETECHPAVERS.com



Tile Tech Inc.
Paving America one step at a time!



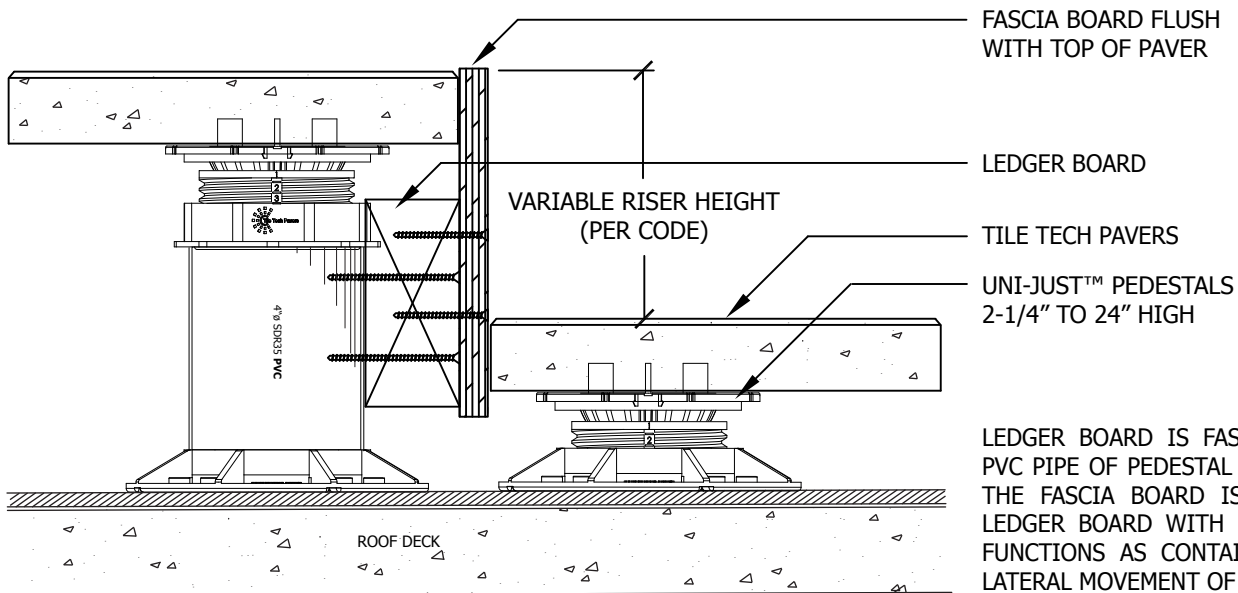
PERIMETER EDGE RESTRAINT OPTIONS

STEP-DOWN AND GREEN ROOF CONTAINMENT DETAILS

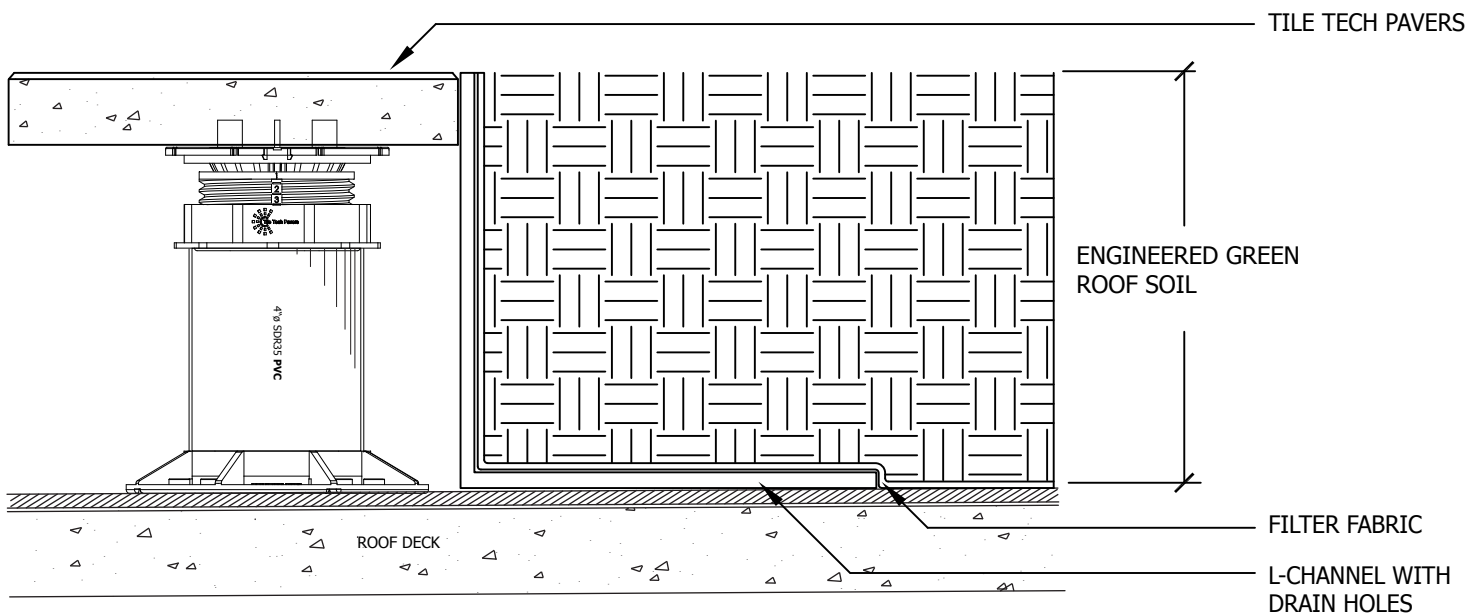
National Distribution
Toll Free: 888-380-5575

Tel: 213-380-5560
Fax: 213-380-5561

STEP-DOWN CONTAINMENT

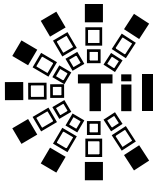


GREEN ROOF CONTAINMENT

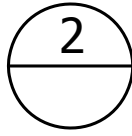


GENERAL NOTES: APPLY TO ALL OF THE ABOVE PRODUCTS

1. INSTALLATION MUST BE COMPLETED IN ACCORDANCE WITH TILE TECH INC PRODUCT SPECIFICATIONS.
2. DRAWING NOT TO SCALE.
3. USE OF BUFFER PADS IS MANDATORY.
4. CONTRACTOR'S NOTE: FOR PRODUCT AND COMPANY INFORMATION VISIT www.TILETECHPAVERS.com



Tile Tech Inc.
Paving America one step at a time!



STEP-DOWN PEDESTAL APPLICATION

STEP-DOWN PEDESTAL APPLICATION SECTION DETAILS

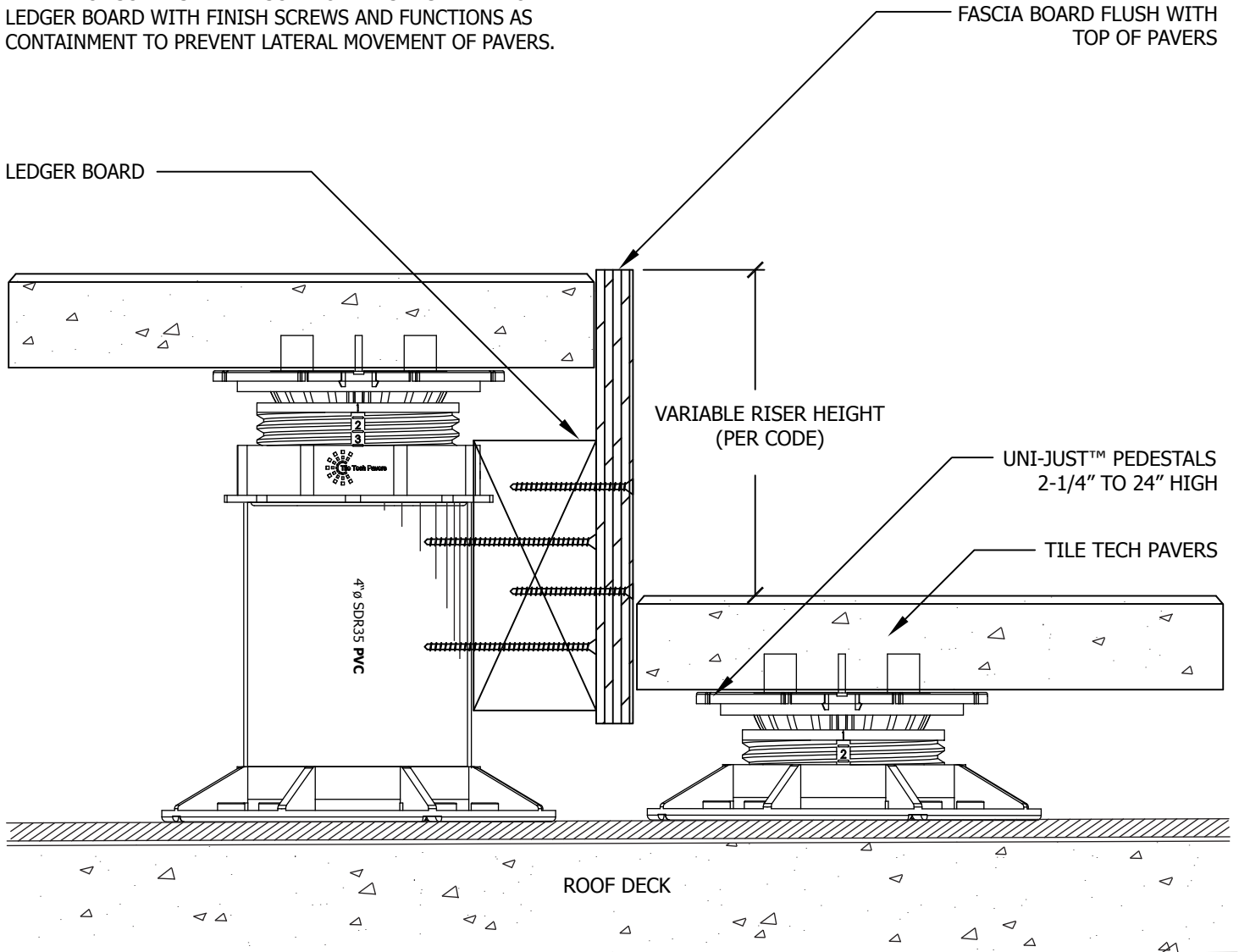
National Distribution

Tel: 213-380-5560

Toll Free: 888-380-5575

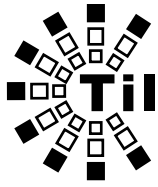
Fax: 213-380-5561

LEDGER BOARD IS FASTENED TO VERTICAL PVC PIPE OF PEDESTAL WITH DECK SCREWS. THE FASCIA BOARD IS FASTENED TO THE LEDGER BOARD WITH FINISH SCREWS AND FUNCTIONS AS CONTAINMENT TO PREVENT LATERAL MOVEMENT OF PAVERS.

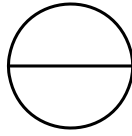


GENERAL NOTES: APPLY TO ALL OF THE ABOVE PRODUCTS

1. INSTALLATION MUST BE COMPLETED IN ACCORDANCE WITH TILE TECH INC PRODUCT SPECIFICATIONS.
2. DRAWING NOT TO SCALE.
3. USE OF BUFFER PADS IS MANDATORY.
4. CONTRACTOR'S NOTE: FOR PRODUCT AND COMPANY INFORMATION VISIT www.TILETECHPAVERS.com



Tile Tech Inc.
Paving America one step at a time!



WOOD TILE & PEDESTAL APPLICATION

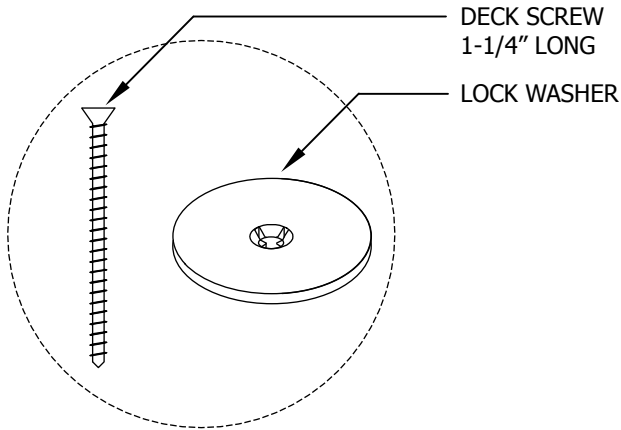
TRANSITION, ALIGNMENT & LOCK DOWN DETAILS

National Distribution

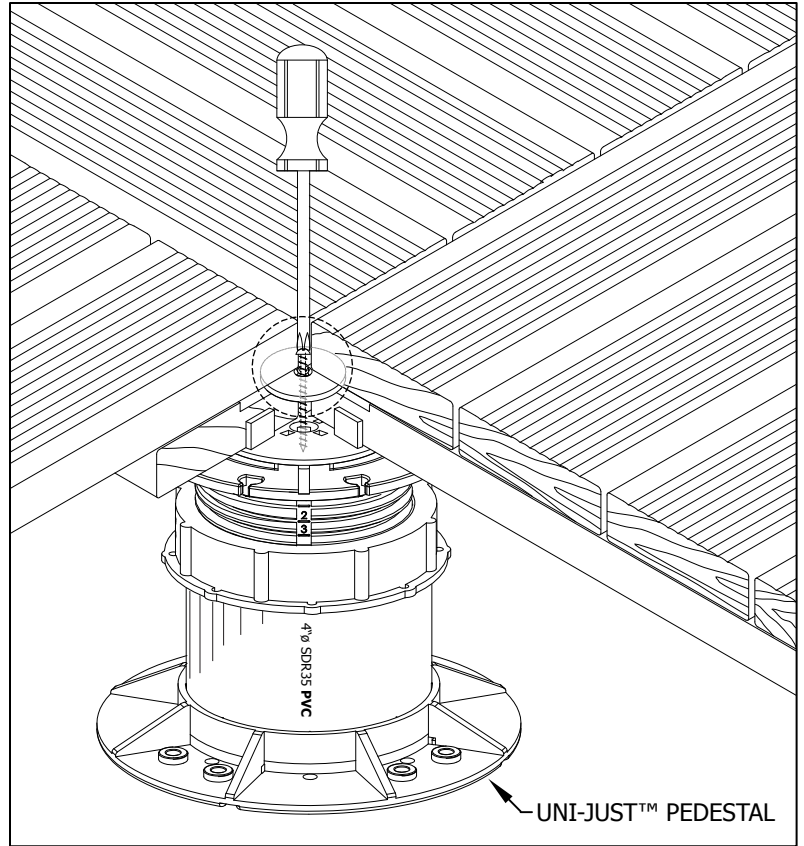
Tel: 213-380-5560

Toll Free: 888-380-5575

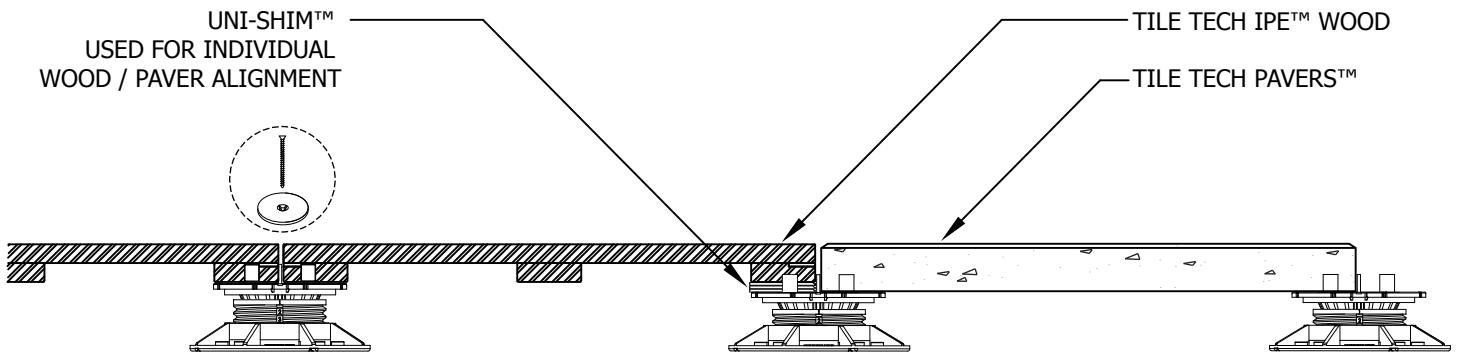
Fax: 213-380-5561



INSERT THE LOCK WASHER IN TO THE KURF CUT BETWEEN THE UPPER SLAT AND BOTTOM RAIL OF 3 WOOD PAVERS. INSERT THE 4th PAVER IN TO THE 4th CORNER. ONCE ALL 4 PAVERS ARE TIGHTLY IN PLACE INSERT DECK SCREW (1-1/4" LONG) THROUGH LOCK WASHER AND HAND TIGHTEN IN TO PEDESTAL TOP UNTIL ALL 4 PAVERS ARE SECURELY FASTENED TO THE PEDESTAL. DO NOT OVER TIGHTEN.



IPE WOOD & PAVER TRANSITION AND ALIGNMENT

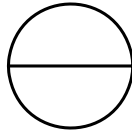


GENERAL NOTES: APPLY TO ALL OF THE ABOVE PRODUCTS

1. INSTALLATION MUST BE COMPLETED IN ACCORDANCE WITH TILE TECH INC PRODUCT SPECIFICATIONS.
2. DRAWING NOT TO SCALE.
3. USE OF BUFFER PADS IS MANDATORY.
4. CONTRACTOR'S NOTE: FOR PRODUCT AND COMPANY INFORMATION VISIT www.TILETECHPAVERS.com



Tile Tech Inc.
Paving America one step at a time!

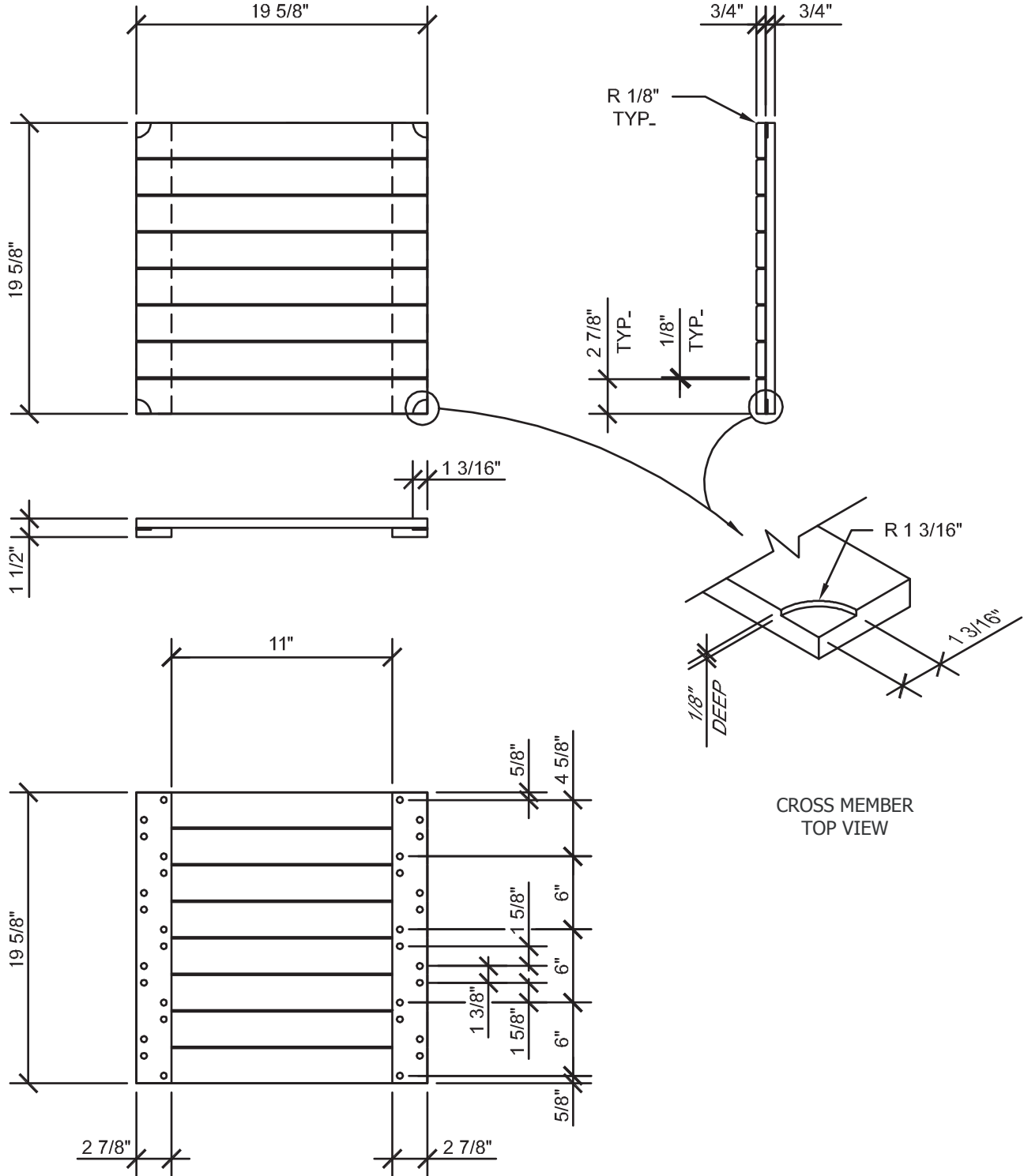


IPE WOOD TILES DETAILS

20" x 20" x 1-1/2"

National Distribution
Toll Free: 888-380-5575

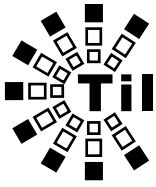
Tel: 213-380-5560
Fax: 213-380-5561



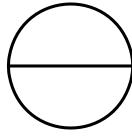
CROSS MEMBER
TOP VIEW

GENERAL NOTES: APPLY TO ALL OF THE ABOVE PRODUCTS

1. INSTALLATION MUST BE COMPLETED IN ACCORDANCE WITH TILE TECH INC PRODUCT SPECIFICATIONS.
2. DRAWING NOT TO SCALE.
3. CONTRACTOR'S NOTE: FOR PRODUCT AND COMPANY INFORMATION VISIT WWW.TILETECHPAVERS.COM



Tile Tech Inc.
Paving America one step at a time!

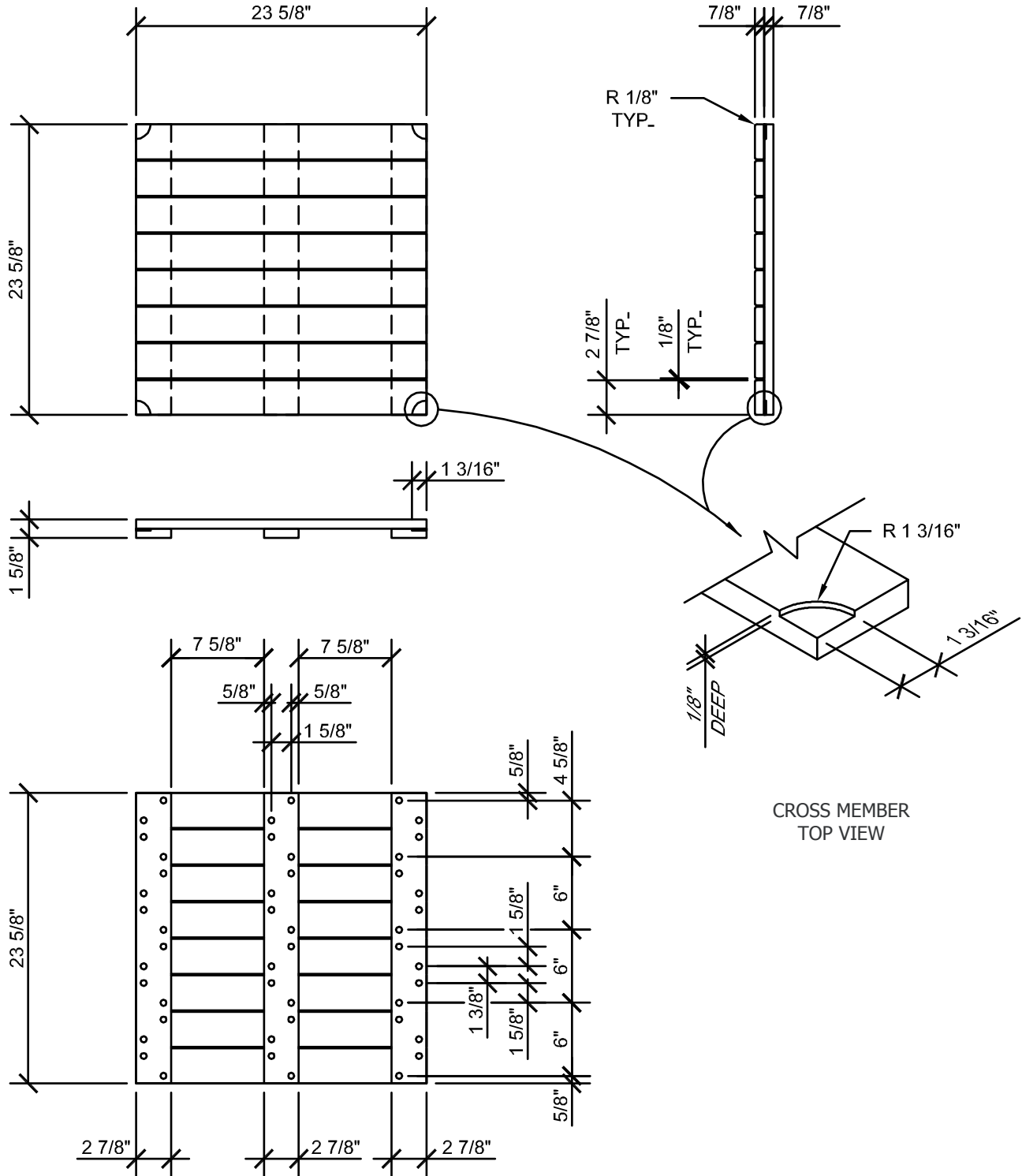


IPE WOOD TILES DETAILS

24" x 24" x 1-5/8"

National Distribution
Toll Free: 888-380-5575

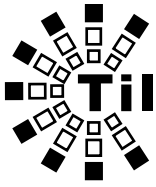
Tel: 213-380-5560
Fax: 213-380-5561



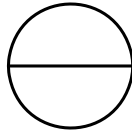
CROSS MEMBER
TOP VIEW

GENERAL NOTES: APPLY TO ALL OF THE ABOVE PRODUCTS

1. INSTALLATION MUST BE COMPLETED IN ACCORDANCE WITH TILE TECH INC PRODUCT SPECIFICATIONS.
2. DRAWING NOT TO SCALE.
3. CONTRACTOR'S NOTE: FOR PRODUCT AND COMPANY INFORMATION VISIT WWW.TILETECHPAVERS.COM



Tile Tech Inc.
Paving America one step at a time!



JOIST DECK & PEDESTAL APPLICATION

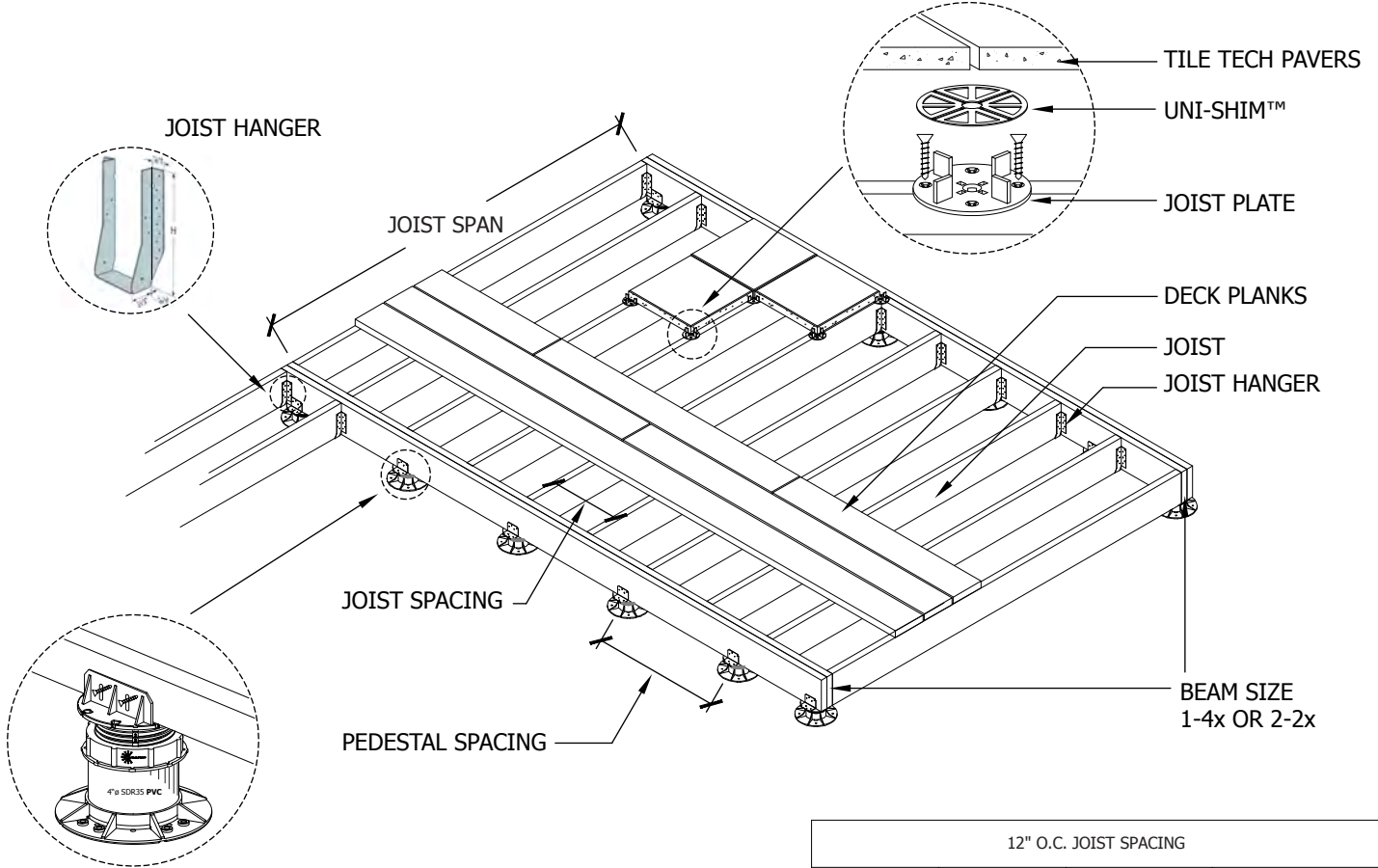
JOIST DECK INSTALLATION DETAILS & SPANNING CHART

National Distribution

Tel: 213-380-5560

Toll Free: 888-380-5575

Fax: 213-380-5561



UNI-JUST™ PEDESTAL WITH JOIST CAP

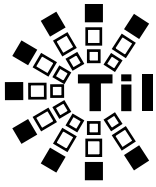
NOTE:

THIS DIAGRAM AND CHART ARE FOR CONVENIENCE ONLY. COMPATIBILITY OF DECKING MATERIAL AND JOIST SPANNING WILL VARY DEPENDING ON THE TYPE / SIZE OF CONCRETE PAVERS, WOOD OR COMPOSITE MATERIALS BEING USED. ADDITIONALLY CODE REQUIREMENTS VARY PER LOCATION AND IT IS THE INSTALLERS RESPONSIBILITY TO ENSURE DECK MEETS CODE REQUIREMENTS.

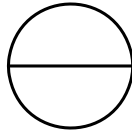
12" O.C. JOIST SPACING			
JOIST SIZE	JOIST SPAN	BEAM SIZE	PEDESTAL SPACING
2x6	10' - 0"	4x6 OR (2) 2x6	24" O.C.
2x8	13' - 2"	4x8 OR (2) 2x8	24" O.C.
2x10	16' - 10"	4X10 OR (2) 2x10	24" O.C.
16" O.C. JOIST SPACING			
JOIST SIZE	JOIST SPAN	BEAM SIZE	PEDESTAL SPACING
2x6	9' - 1"	4x6 OR (2) 2x6	24" O.C.
2x8	12' - 0"	4x8 OR (2) 2x8	24" O.C.
2x10	15' - 2"	4X10 OR (2) 2x10	24" O.C.
20" O.C. JOIST SPACING			
JOIST SIZE	JOIST SPAN	BEAM SIZE	PEDESTAL SPACING
2x6	7' - 11"	4x6 OR (2) 2x6	24" O.C.
2x8	10' - 2"	4x8 OR (2) 2x8	24" O.C.
2x10	12' - 5"	4X10 OR (2) 2x10	24" O.C.

GENERAL NOTES: APPLY TO ALL OF THE ABOVE PRODUCTS

1. INSTALLATION MUST BE COMPLETED IN ACCORDANCE WITH TILE TECH INC PRODUCT SPECIFICATIONS.
2. DRAWING NOT TO SCALE.
3. USE OF BUFFER PADS IS MANDATORY.
4. CONTRACTOR'S NOTE: FOR PRODUCT AND COMPANY INFORMATION VISIT www.TILETECHPAVERS.com



Tile Tech Inc.
Paving America one step at a time!



WIND-LOC™ PAVER & PEDESTAL APPLICATION

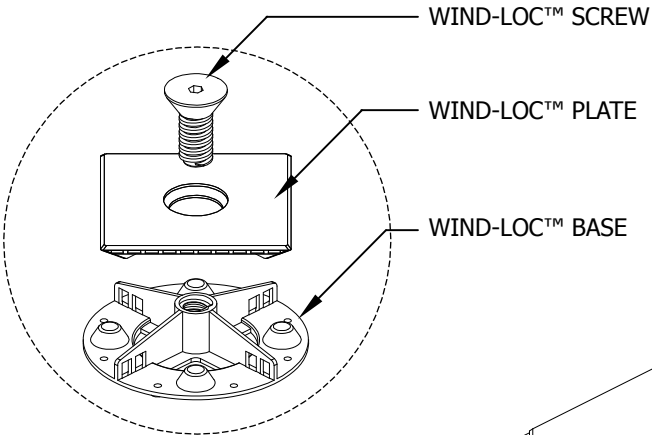
PAVER LOCK DOWN SYSTEM DETAILS. PLAN AND PROFILE VIEW

National Distribution

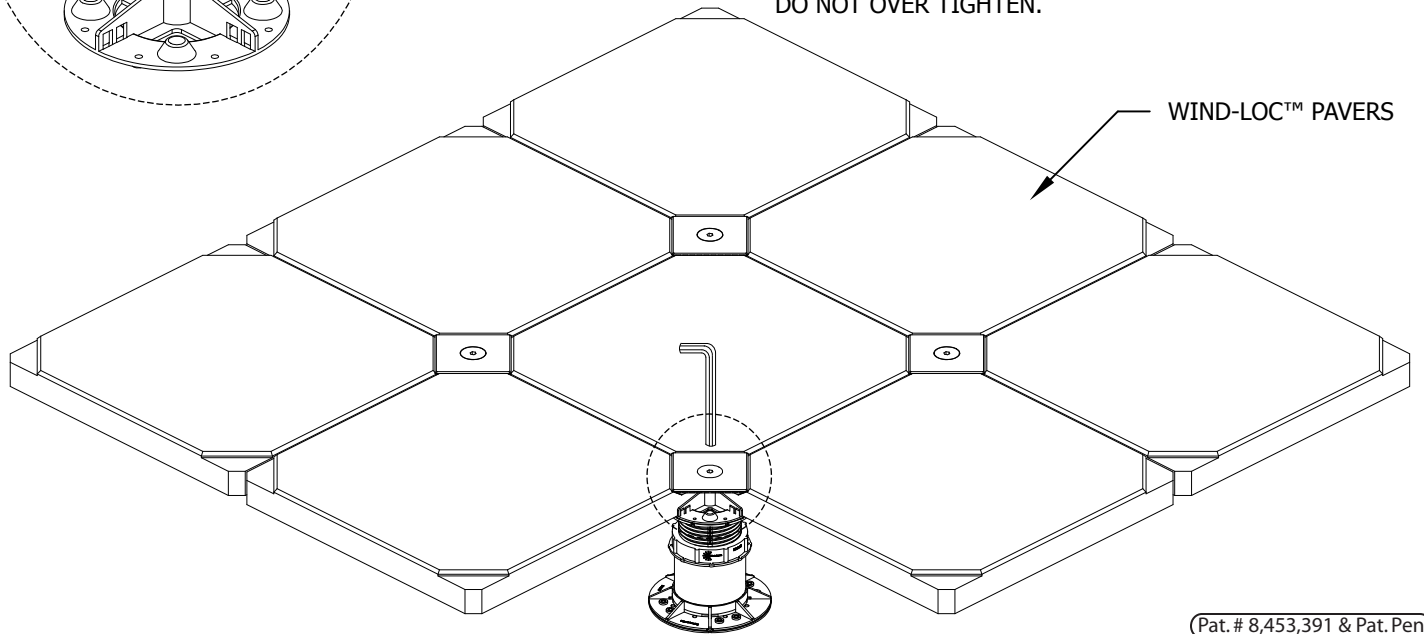
Tel: 213-380-5560

Toll Free: 888-380-5575

Fax: 213-380-5561



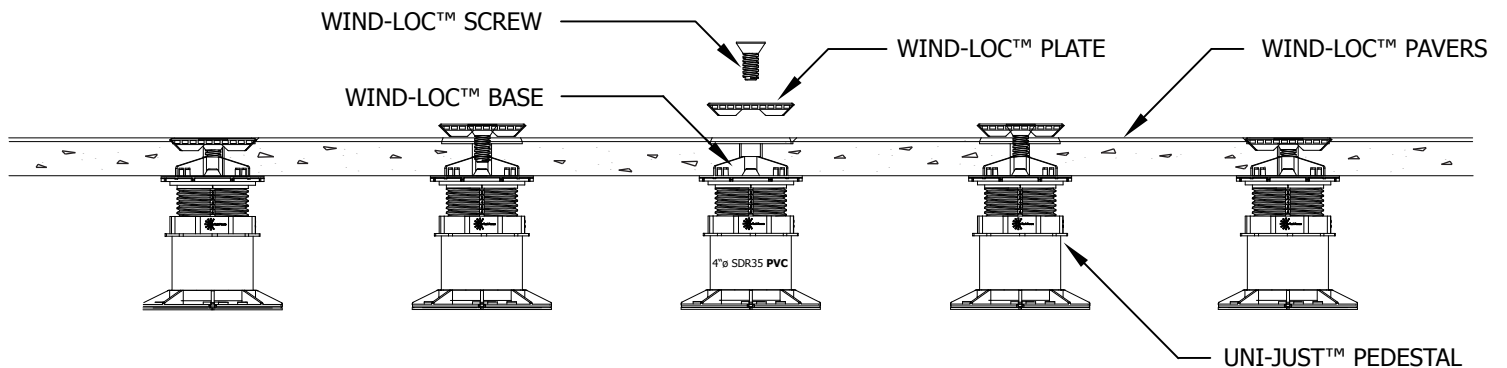
WIND-LOC™ PEDESTAL IS MADE OF HIGH IMPACT POLYPROPYLENE & ABS AND IS MADE TO LOCK THE PAVER SYSTEM TOGETHER AND PREVENT WIND UPLIFT. POSITION AND LEVEL HYBRID PEDESTAL SYSTEM ON GRID LINES. SET THE WIND-LOC™ BASE ON TOP OF THE PEDESTAL SYSTEM AND SET WIND-LOC™ PAVERS ON TO WIND-LOC™ BASE. BE SURE TO ALIGN RECESS ON BACK SIDE OF PAVER WITH THE DOMES ON THE WIND-LOC™ BASE. POSITION & ALIGN WIND-LOC™ PLATE ON TO WIND-LOC™ PAVERS IN A DIAMOND CONFIGURATION. INSTALL WIND-LOC™ SCREW IN TO WIND-LOC™ BASE WITH A HEX BIT. TIGHTEN DOWN TO 80 PSI. DO NOT OVER TIGHTEN.



Pat. # 8,453,391 & Pat. Pen

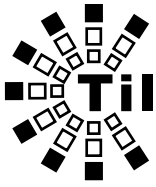
Patent Pending

WIND-LOC™ - PROFILE VIEW

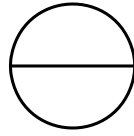


GENERAL NOTES: APPLY TO ALL OF THE ABOVE PRODUCTS

1. INSTALLATION MUST BE COMPLETED IN ACCORDANCE WITH TILE TECH INC PRODUCT SPECIFICATIONS.
2. DRAWING NOT TO SCALE.
3. USE OF BUFFER PADS IS MANDATORY.
4. CONTRACTOR'S NOTE: FOR PRODUCT AND COMPANY INFORMATION VISIT www.TILETECHPAVERS.com



Tile Tech Inc.
Paving America one step at a time!

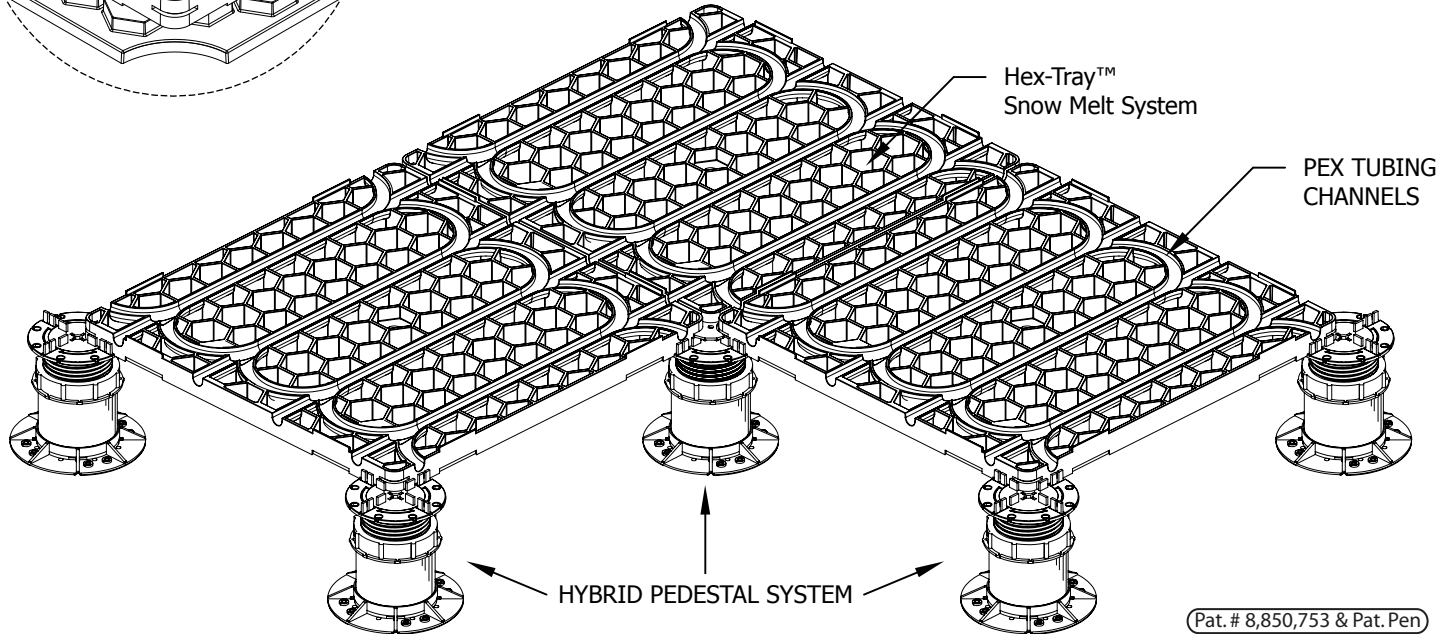
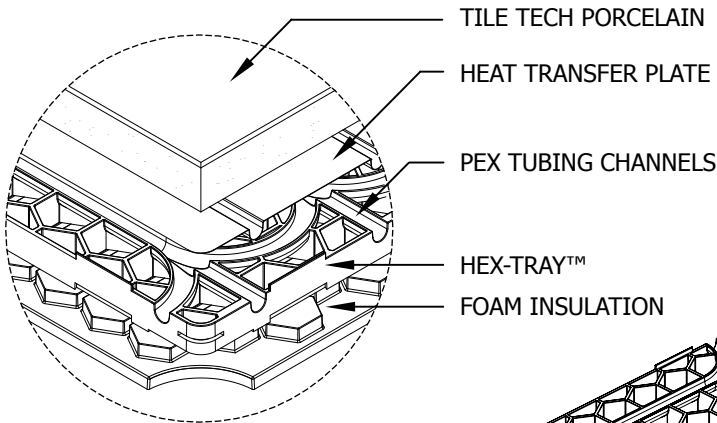


HEX-TRAY™ SNOW MELT SYSTEM

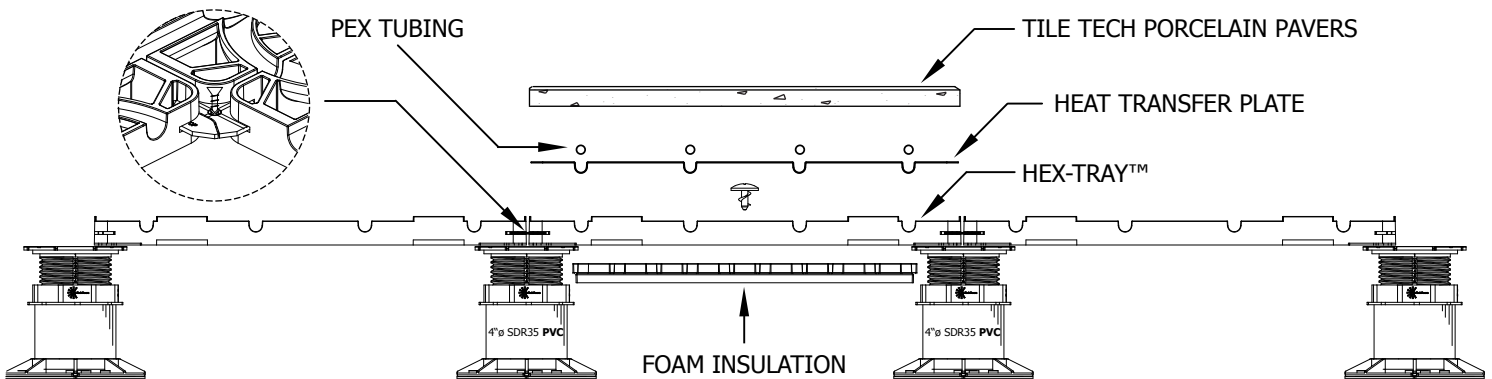
PAVER SNOW MELT SYSTEM DETAILS. PLAN AND PROFILE VIEW

National Distribution Tel: 213-380-5560
Toll Free: 888-380-5575 Fax: 213-380-5561

HEX-TRAY™ SNOW MELT SYSTEM COMPONENTS INCLUDES A HONEYCOMB STRUCTURAL TRAY WITH PEX TUBING CHANNELS, A FOAM INSULATION PANEL, ALUMINUM HEAT TRANSFER PLATE AND **USER** SUPPLIED 1/2" PEX TUBING. PRE ASSEMBLE THE FOAM INSULATION PANEL TO THE BACK OR BOTTOM SIDE OF THE HEX-TRAY AND SECURE WITH SUPPLIED CORK-SCREW. POSITION AND LEVEL HYBRID PEDESTAL SYSTEM ON TO GRID LINES. PLACE SEMI ASSEMBLED HEX-TRAY™ ON TO PEDESTAL SYSTEM. LEVEL & SECURE FOUR ADJACENT CORNERS TO PEDESTAL SYSTEM USING HEX-LOCK DISK AND SECURE WITH DECK SCREW (1-1/4" LONG). POSITION AND ALIGN HEAT TRANSFER PLATE TO TOP OF HEX-TRAY™. AT TERMINATION POINTS AND WALLS, CUT BACK HEAT TRANSFER PLATE TO EXPOSE THE "U" SHAPED CHANNELS IN ORDER TO LOOP BACK PEX TUBING. INSTALL PEX TUBING AND TEST FOR LEAKS. INSTALL PORCELAIN PAVERS.

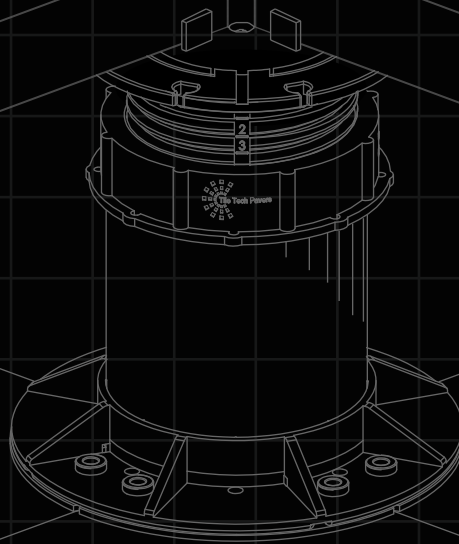



HEX-TRAY™ SNOW MELT - PROFILE VIEW




GENERAL NOTES: APPLY TO ALL OF THE ABOVE PRODUCTS

1. INSTALLATION MUST BE COMPLETED IN ACCORDANCE WITH TILE TECH INC PRODUCT SPECIFICATIONS.
2. DRAWING NOT TO SCALE.
3. USE OF BUFFER PADS IS MANDATORY.
4. CONTRACTOR'S NOTE: FOR PRODUCT AND COMPANY INFORMATION VISIT www.TILETECHPAVERS.com



 888-380-5575

 213-380-5561

 Sales@tiletechpavers.com

 www.TileTechPavers.com